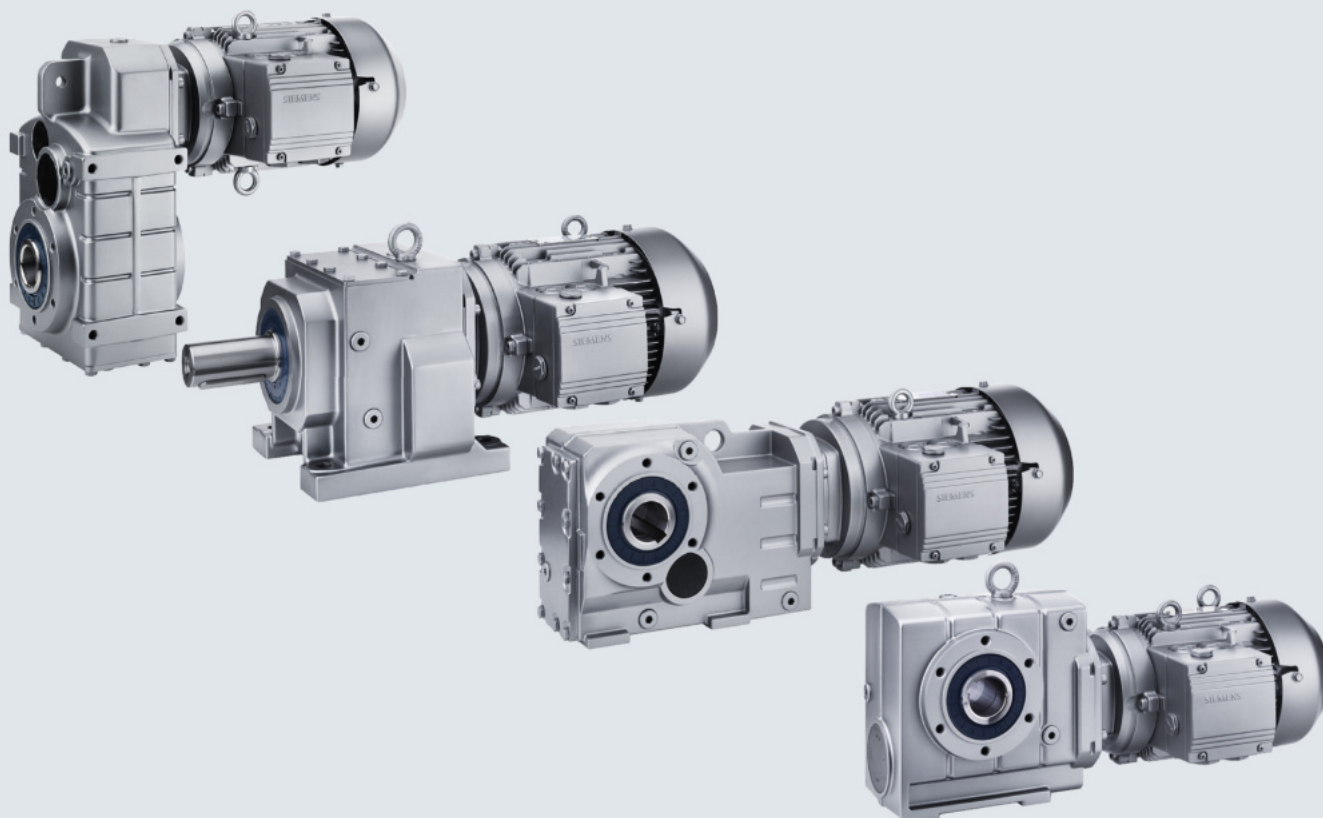


STEINLEN
ELEKTRISCHE ANTRIEBSTECHNIK

MOTOX/MOTOX[®]-N



Operating Instructions

MOTOX

Gearbox

BA 2010

Edition

5/2022



Gearbox BA 2010

Operating Instructions

| | |
|--|----|
| General information and safety notes | 1 |
| Technical description | 2 |
| Incoming goods, transport, and storage | 3 |
| Installation | 4 |
| Commissioning | 5 |
| Operation | 6 |
| Faults, causes and remedies | 7 |
| Service and maintenance | 8 |
| Disposal | 9 |
| Technical data | 10 |
| Spare parts | 11 |
| Explanations | 12 |

Translation of the original instructions




03/2021

A5E38093846A/RS-AD-ST

Legal information

Warning notice system

This manual contains notices you have to observe in order to ensure your personal safety, as well as to prevent damage to property. The notices referring to your personal safety are highlighted in the manual by a safety alert symbol, notices referring only to property damage have no safety alert symbol. These notices shown below are graded according to the degree of danger.

| |
|--|
|  DANGER |
| indicates that death or severe personal injury will result if proper precautions are not taken. |
|  WARNING |
| indicates that death or severe personal injury may result if proper precautions are not taken. |
|  CAUTION |
| indicates that minor personal injury can result if proper precautions are not taken. |
| NOTICE |
| indicates that property damage can result if proper precautions are not taken. |

If more than one degree of danger is present, the warning notice representing the highest degree of danger will be used. A notice warning of injury to persons with a safety alert symbol may also include a warning relating to property damage.


Qualified Personnel

The product/system described in this documentation may be operated only by **personnel qualified** for the specific task in accordance with the relevant documentation, in particular its warning notices and safety instructions.

Qualified personnel are those who, based on their training and experience, are capable of identifying risks and avoiding potential hazards when working with these products/systems.

Proper use of Steinlen products

Note the following:

| |
|--|
|  WARNING |
| Steinlen products may only be used for the applications described in the catalog and in the relevant technical documentation. If products and components from other manufacturers are used, these must be recommended or approved by Steinlen. Proper transport, storage, installation, assembly, commissioning, operation and maintenance are required to ensure that the products operate safely and without any problems. The permissible ambient conditions must be complied with. The information in the relevant documentation must be observed. |

Trademarks

All names identified by ® are registered trademarks of Steinlen Elektromaschinenbau GmbH. The remaining trademarks in this publication may be trademarks whose use by third parties for their own purposes could violate the rights of the owner.

Disclaimer of Liability

We have reviewed the contents of this publication to ensure consistency with the hardware and software described. Since variance cannot be precluded entirely, we cannot guarantee full consistency. However, the information in this publication is reviewed regularly and any necessary corrections are included in subsequent editions.

Table of contents

| | | |
|----------|---|-----------|
| 1 | General information and safety notes | 7 |
| 1.1 | General information | 7 |
| 1.2 | Copyright..... | 9 |
| 1.3 | Intended use | 9 |
| 1.4 | Obligations of the user | 10 |
| 1.5 | The five safety rules..... | 11 |
| 1.6 | Particular types of hazards | 12 |
| 2 | Technical description | 13 |
| 2.1 | General description..... | 13 |
| 2.2 | Shaft seals | 13 |
| 2.3 | Cooling..... | 14 |
| 2.4 | Backstop | 14 |
| 2.5 | Rating plate..... | 16 |
| 2.6 | Surface treatment | 16 |
| 2.6.1 | General information on surface treatment..... | 16 |
| 2.6.2 | Painted version | 17 |
| 2.6.3 | Primed version | 19 |
| 2.7 | ATEX ignition hazards in accordance with DIN EN 80079-37..... | 20 |
| 3 | Incoming goods, transport, and storage | 21 |
| 3.1 | Incoming goods..... | 21 |
| 3.2 | Transport..... | 22 |
| 3.2.1 | General information on transport..... | 22 |
| 3.2.2 | Fastening for suspended transport..... | 23 |
| 3.3 | Storage | 25 |
| 3.3.1 | General information for storage | 25 |
| 3.3.2 | Storage up to 36 months with long-term preservation (optional)..... | 25 |
| 3.3.2.1 | General notes for storage up to 36 months | 25 |
| 3.3.2.2 | Gearbox filled with operating oil and anti-corrosive agent..... | 26 |
| 3.3.2.3 | Gearbox completely filled with oil | 26 |
| 4 | Installation | 27 |
| 4.1 | Unpacking | 27 |
| 4.2 | General information on installation | 27 |
| 4.3 | Thread sizes and tightening torques for fastening bolts..... | 29 |
| 4.4 | Fastening in the case of high shock loads..... | 30 |

| | | |
|----------|--|-----------|
| 4.5 | Gearbox with foot mounting | 30 |
| 4.6 | Gearboxes in foot or flange version | 31 |
| 4.7 | Gearbox with C-type housing flange | 31 |
| 4.8 | Mounting an input or output element on the gearbox shaft | 34 |
| 4.9 | Removing and installing the protection cover | 36 |
| 4.10 | Removing and installing the shaft-mounted gearbox | 37 |
| 4.10.1 | General information on installing the shaft-mounted gearbox | 37 |
| 4.10.2 | Removing and installing the hollow shaft | 38 |
| 4.10.2.1 | Mounting the hollow shaft | 38 |
| 4.10.2.2 | Removing the hollow shaft with parallel key | 40 |
| 4.10.3 | Shrink disk | 42 |
| 4.10.3.1 | Mounting the shrink disk | 42 |
| 4.10.3.2 | Pulling off the shrink disk | 45 |
| 4.10.3.3 | Cleaning and lubricating shrink disks | 45 |
| 4.10.4 | Torque arms with shaft-mounted gearboxes | 46 |
| 4.10.4.1 | General information regarding torque arms | 46 |
| 4.10.4.2 | Mounting torque arms on parallel shaft gearboxes | 47 |
| 4.10.4.3 | Mounting torque arms on bevel helical gearboxes and helical worm gearboxes | 48 |
| 5 | Commissioning | 49 |
| 5.1 | General information for commissioning | 49 |
| 5.2 | Checking the oil level prior to commissioning | 49 |
| 5.3 | Vent filter | 50 |
| 5.4 | Gearbox with backstop (optional) | 50 |
| 6 | Operation | 51 |
| 7 | Faults, causes and remedies | 53 |
| 8 | Service and maintenance | 57 |
| 8.1 | General notes about maintenance work | 57 |
| 8.2 | Checking and changing lubricants | 59 |
| 8.2.1 | General safety instructions | 59 |
| 8.2.2 | Checking the oil level | 60 |
| 8.2.3 | Checking the oil level using the oil sight glass (optional) | 63 |
| 8.2.4 | Checking the oil level using the oil dipstick (optional) | 63 |
| 8.2.5 | Checking the oil quality | 64 |
| 8.2.6 | Changing the oil | 65 |
| 8.2.6.1 | General safety notes for changing the oil | 65 |
| 8.2.6.2 | Draining the oil | 66 |
| 8.2.6.3 | Flushing the gearbox when changing between incompatible oils | 67 |
| 8.2.6.4 | Filling in oil | 68 |
| 8.2.7 | Topping up with oil | 69 |
| 8.2.8 | Change the roller bearing grease | 69 |
| 8.2.9 | Changing the oil when using backstops in bevel helical gearboxes | 70 |
| 8.2.10 | Service life of the lubricants | 70 |
| 8.2.11 | Recommended lubricants | 72 |
| 8.3 | Replace bearings | 73 |

| | | |
|-----------|--|------------|
| 8.4 | Checking the gearbox for leaks | 74 |
| 8.5 | Cleaning the vent filter | 75 |
| 8.6 | Replacing the vent valve..... | 75 |
| 8.7 | Checking the oil level sensor (optional)..... | 75 |
| 8.8 | Cleaning the gearbox..... | 76 |
| 8.9 | Checking tightness of fastening bolts | 76 |
| 8.10 | Inspecting the gearbox..... | 77 |
| 8.11 | Maintenance of the friction clutch | 77 |
| 9 | Disposal..... | 79 |
| 10 | Technical data | 81 |
| 10.1 | Type designation..... | 81 |
| 10.2 | General technical data | 83 |
| 10.3 | Weight..... | 86 |
| 10.4 | Sound energy level | 86 |
| 10.5 | Mounting positions | 87 |
| 10.5.1 | Single-stage helical gearboxes | 88 |
| 10.5.2 | Two- and three-stage helical gearboxes..... | 89 |
| 10.5.3 | Parallel shaft gearboxes | 92 |
| 10.5.4 | Bevel helical gearboxes..... | 93 |
| 10.5.5 | Helical worm gearboxes..... | 95 |
| 10.5.6 | Tandem gearboxes - Intermediate helical gearboxes | 96 |
| 10.6 | Oil quantities | 96 |
| 10.6.1 | Helical gearboxes | 97 |
| 10.6.2 | Parallel shaft gearboxes | 98 |
| 10.6.3 | Bevel helical gearboxes..... | 99 |
| 10.6.4 | Helical worm gearboxes..... | 100 |
| 10.6.5 | Tandem gearboxes - Intermediate helical gearboxes | 101 |
| 10.6.5.1 | Two- and three-stage helical gearboxes..... | 101 |
| 10.6.5.2 | Parallel shaft gearboxes | 103 |
| 10.6.5.3 | Bevel helical gearboxes..... | 104 |
| 10.6.5.4 | Helical worm gearboxes..... | 106 |
| 11 | Spare parts | 107 |
| 11.1 | Stocking of spare parts | 107 |
| 11.2 | Spare parts lists | 109 |
| 11.2.1 | Single-stage helical gearbox sizes 38 - 148 | 109 |
| 11.2.2 | Two- and three-stage helical gearbox sizes 38 - 188..... | 110 |
| 11.2.3 | Parallel shaft gearbox sizes 38B - 188B, 208..... | 111 |
| 11.2.4 | Bevel helical gearbox sizes B38, 38 - 188..... | 114 |
| 11.2.5 | Helical worm gearbox sizes 38 - 88..... | 116 |
| 12 | Explanations | 119 |
| 12.1 | Declaration of Incorporation..... | 119 |
| 12.2 | EU-Declaration of Conformity No. EK-10B..... | 125 |
| 12.3 | EU-Declaration of Conformity DIN EN 80079-36 | 127 |

12.4 UK Declaration of Conformity BS EN 80079-36 128

General information and safety notes

1.1 General information



ATEX version gearboxes

Instructions and measures that apply in particular to ATEX version gearboxes.

Note

Steinlen Elektromaschinenbau GmbH does not accept any liability for damage and failures that result from the non-observance of these operating instructions.

These operating instructions are part of the gearbox delivery. Store the operating instructions near the gearbox.

These operating instructions apply to the standard version of the MOTOX gearboxes:

- E, Z, and D helical gearboxes sizes 18 to 188
- EK cooling tower version helical gearboxes sizes 88 to 148 and ZK sizes 68 to 188
- FZ and FD parallel shaft gearboxes sizes 28, 38B to 188B, 208
- B, K bevel helical gearboxes sizes 28 to 188
- C helical worm gearboxes sizes 28 to 88

The precise type designation is described in Section Type designation (Page 81).

Table 1- 1 Order number code

| MOTOX gearbox | Structure of the order number position | | | | |
|----------------------------|--|---|---|---|---|
| | 1 | 2 | 3 | 4 | 5 |
| Helical gearbox E, EK | S | T | 3 | 1 | 0 |
| Helical gearbox Z, ZK | S | T | 3 | 1 | 1 |
| Helical gearbox D | S | T | 3 | 1 | 2 |
| Parallel shaft gearbox FZ | S | T | 3 | 1 | 3 |
| Parallel shaft gearbox FD | S | T | 3 | 1 | 4 |
| Bevel helical gearbox B, K | S | T | 3 | 1 | 5 |
| Helical worm gearbox C | S | T | 3 | 1 | 6 |

Note

In addition to these operating instructions, special contractual agreements and technical documentation apply to special gearbox designs and the associated supplementary equipment.

Please refer to the other operating instructions supplied with the product.

The described gearboxes correspond to the state-of-the-art at the time these operating instructions were printed.

Steinlen Elektromaschinenbau GmbH reserves the right to change individual components and accessory parts in the interest of further development. The changes serve to improve the performance and safety. The significant features are retained. The operating instructions are updated regularly with new contents.

The latest versions of the operating instructions, the declaration of incorporation and the declarations of conformity are available in electronic form in the Industry Online Support (<https://www.steinlen.eu>).

Valid operating instructions for MOTOX

- BA 2010 - operating instructions for MOTOX gearboxes
- BA 2011 - operating instructions for MOTOX worm gearbox SC
- BA 2012 - operating instructions for MOTOX worm gearbox S
- BA 2019 - operating instructions for MOTOX input units
- BA 2310 - operating instructions for three-phase and single-phase AC motors and motors equipped with brake with accessories
- BA 2320 - operating instructions for LA/LG and LAI/LGI motors
- BA 2330 - operating instructions for LA/LE/LES motors
- BA 2510 - operating instructions for MOTOX optional add-on units
- BA 2515 - operating instructions for MOTOX gearboxes for overhead conveyors

1.2 Copyright

The copyright to these operating instructions is held by Steinlen Elektromaschinenbau GmbH.

These operating instructions must not be wholly or partly reproduced for competitive purposes, used in any unauthorized way or made available to third parties without agreement of Steinlen Elektromaschinenbau GmbH.

1.3 Intended use



ATEX version gearboxes

The ATEX gearbox satisfies the requirements of the Explosion Protection Directive 2014/34/EU.

In the case of ATEX version gearboxes, please observe instructions marked with this symbol.

The MOTOX gearboxes described in these operating instructions have been designed for stationary use in general engineering applications.

Unless otherwise agreed, the gearboxes have been designed for use in machinery and plants in industrial environments.

The gearboxes have been built using state-of-the-art technology and are shipped in an operationally reliable condition. Changes made by users could affect this operational reliability and are forbidden.

Note

The data on the rating plate assumes an installation altitude of up to 1 000 m above sea level.

The permissible ambient temperature is stamped on the rating plate.

For different installation altitudes and ambient temperatures, contact Technical Support.

The gearboxes are designed only for the area of application described in Section Technical data (Page 81).

Do not operate the gearboxes outside the specified performance limits. Any different operating conditions require new contractual agreements.

Do not climb on the gearbox. Do not place any objects on the gearbox.

1.4 Obligations of the user

The operator must ensure that all persons assigned to work on the geared motor have read and understood these operating instructions and that they follow them in all points in order to:

- Eliminate the risk to life and limb of users and other persons.
- Ensure the operational safety of the geared motor.
- Avoid disruptions and environmental damage through incorrect use.

Note the following safety information:

Shut down the geared motors and disconnect the power before you carry out any work on them.

Make sure that the drive unit cannot be turned on accidentally, e.g. lock the key-operated switch. Place a warning notice at the drive connection point which clearly indicates that work is in progress on the geared motor.

Carry out all work with great care and with due regard to "safety".

For all work, observe the relevant regulations for work safety and environment protection.

Read the instructions on the rating plates attached to the geared motor. The rating plates must be kept free from paint and dirt at all times. Replace any missing rating plates.

In the event of changes during operation, switch off the drive unit immediately.

Take appropriate protective measures to prevent accidental contact with rotating drive parts, such as couplings, gear wheels or belt drives.

Take appropriate protective measures to prevent accidental contact with parts and equipment that heat up to over +70 °C during operation.

When removing protective equipment, keep fasteners in a safe place. Re-attach removed protective equipment before commissioning.

Collect and dispose of used oil in accordance with regulations. Remove oil spillages immediately with an oil-binding agent in compliance with environmental requirements.

Do not carry out any welding work on the geared motor. Do not use the geared motor as a grounding point for welding operations.

Carry out equipotential bonding in accordance with applicable regulations and directives by electrotechnology specialists.

Do not use high-pressure cleaning equipment or sharp-edged tools to clean the geared motor.

Observe the permissible tightening torque of the fastening bolts.

Replace damaged bolts with new bolts of the same type and strength class.

Steinlen Elektromaschinenbau GmbH accepts the warranty only for original spare parts.

The manufacturer who installs the geared motors in a plant must include the regulations contained in the operating instructions in its own operating instructions.

1.5 The five safety rules

For your own personal safety and to prevent material damage when carrying out any work, always observe the safety-relevant instructions and the following five safety rules according to EN 50110-1 Working in a voltage-free state. Apply the five safety rules in the sequence stated before starting work.

Five safety rules

1. Disconnect.
Also disconnect the auxiliary circuits, for example the anti-condensation heating.
2. Secure against reconnection.
3. Verify absence of operating voltage.
4. Ground and short circuit.
5. Cover or safeguard neighboring live parts.

After the work has been completed, undo the measures taken in the reverse order.

1.6 Particular types of hazards

 **WARNING**

Extreme surface temperatures

Hot surfaces over +55 °C pose a burn risk.

Cold surfaces below 0 °C pose a risk of damage due to freezing.

Do not touch the gearbox without protection.

 **WARNING**

Hot, escaping oil

Before starting any work wait until the oil has cooled down to below +30 °C.

 **WARNING**

Poisonous vapors when working with solvents

Avoid breathing in vapors when working with solvents.

Ensure adequate ventilation.

 **WARNING**

Risk of explosion when working with solvents

Ensure adequate ventilation.

Do not smoke!

 **WARNING**

Risk of eye injury

Rotating parts can throw off small foreign particles such as sand or dust.

Wear protective eyewear!

In addition to the prescribed personal protection gear, also wear suitable protective gloves and safety glasses.

Technical description

2.1 General description

The gearbox is supplied with one, two or three transmission stages.

The gearbox is suitable for various mounting positions. Observe the correct oil level.

Housing

The housings for sizes 18 and 28 are made of die-cast aluminum. The housings for sizes 38 to 208 are made of cast iron.

Geared components

The geared components of the gearboxes are hardened. In the case of helical worm gearboxes the worm is hardened and ground, and the gear is manufactured from bronze. The bevel gear stage of the bevel helical gearbox is lapped in pairs.

Lubrication

The geared components are supplied with adequate lubricant by means of dip lubrication.

Shaft bearings

All shafts are mounted in roller bearings. The roller bearings are lubricated by means of dip lubrication or oil spray lubrication. Bearings that are not supplied with lubricant are closed and grease-lubricated.

2.2 Shaft seals

The radial shaft sealing ring, combination shaft sealing ring, labyrinth seal, and slide ring seal at the shaft outlet prevent lubricant from escaping from the housing and impurities from entering it.

Radial shaft sealing ring

At higher ambient temperatures over +40 °C to +80 °C, shaft sealing rings made from temperature-resistant material are used, subject to contractual agreement.

The radial shaft sealing ring is used as the standard type of seal. It is provided with an additional dust lip to protect against contaminants from outside.

2.3 Cooling

Combination shaft sealing ring (optional)

The combination shaft sealing ring offers an improved oil seal, for example, additional sealing lips prevent the ingress of dirt. The separate sealing system prevents shaft shrinkage due to corrosion or dirt. The grease packing prevents the sealing lips from running dry.

When carrying out repairs, e.g. if the shaft has shrunk, you can replace the standard seal with a combination shaft sealing ring.

2.3 Cooling

| |
|---|
| NOTICE |
| Dust deposits prevent heat radiation |
| Dust deposits prevent heat radiation and cause a high housing temperature. Keep the gearbox free from dirt, dust, etc. |

The gearbox does not normally require additional cooling. The generously dimensioned housing surface is sufficient for dissipating heat losses where there is free convection. If the housing temperature exceeds a value of +80 °C, please contact Technical Support.

2.4 Backstop



ATEX version gearboxes

The drive speed in the table "Drive speed when using backstops" must be reached in continuous operation.

Starting and stopping operations ≤ 20 starts / stops per hour are permissible.

| |
|---|
| NOTICE |
| Replacing the backstop |
| Drive speeds below 1 000 rpm or frequent starting and stopping operations (≥ 20 starts / stops per hour) will limit service life. Do not use the same backstop for prolonged periods; replace backstops regularly. |

| |
|--|
| NOTICE |
| Damaged or destroyed backstop |
| Do not run the motor against the backstop. |
| Note the directional arrow on the gearbox. |

The gearbox can be fitted with a mechanical backstop. The backstop can be fitted either in the coupling lantern or in the 2nd stage of the bevel helical gearbox. It permits only the correct direction of rotation during operation. This is indicated by an arrow pointing in the corresponding direction.

The backstop is fitted with centrifugally operated sprags. When the gearbox is running in the specified direction, the inner ring and the cage with the sprags also rotate while the outer ring remains stationary.

Where the backstop is used in the coupling lantern, lifting of the sprags is ensured when the drive speed is above the speed listed in the table. The backstop is wear-free. It does not require maintenance.

Table 2- 1 Drive speed when using backstops

| Motor size | Backstop | Minimum speed |
|-------------------|------------|---------------|
| | | [rpm] |
| 80/90 | FXM-46 DX | > 820 |
| 100 | FXM-51 DX | > 750 |
| 112 | FXM-61 DX | > 750 |
| 132, 160 | FXM-76 DX | > 670 |
| 180/200, 225, 250 | FXM-101 DX | > 610 |
| 280 | FXM-100 SX | > 400 |

When used in the bevel helical gearbox (gearbox intermediate shaft), the backstop operates at speeds below the lift-off speed of the sprags in a separate oil chamber. The oil must be changed at the same intervals as the gearbox.

2.5 Rating plate

The rating plate on the gearbox or geared motor is of coated aluminum foil. It is covered with a special masking film which ensures permanent resistance to UV radiation and media of all kinds, such as oils, greases, salt water and cleaning agents.

The adhesive and the material ensure firm adhesion and long-term legibility within the operating temperature range from -40 °C to +155 °C.

The edges of the rating plate are paint-finished to match the color of the gearbox or motor to which it is affixed.

In special cases, riveted or bolted metal plates are used.

2.6 Surface treatment

2.6.1 General information on surface treatment

All paint finishes are sprayed on.



ATEX version gearboxes

The gearbox is delivered complete with primer and paint finish.

If the gearbox is delivered with primer only or unpainted, a paint finish must be applied which meets the applicable guidelines for the specific application. The primer does not provide adequate corrosion protection.



ATEX version gearboxes

When applying conductive paint, the operator must ensure that the paint remains in a perfect state.

The paint finish must be checked at intervals of approximately 2 - 3 years.




ATEX version gearboxes

An excessively high electrostatic charge must be avoided.

Ensure that highly active mechanisms that cause the paint finish to generate a charge are avoided.

Highly active mechanisms that can generate charges:

- Fast air with high dust content directed past the gearbox
- Sudden escape of compressed gases that contain particles
- Harsh abrasive processes (this does not mean manual cleaning / wiping with cleaning cloths)

| |
|---|
|  WARNING |
| Danger due to electrostatic discharge For paint finishes in explosion group III, the paint can be electrostatically charged as a result of intensive dust turbulence or processes with high levels of electrostatic charging. Risk of explosion as a result of processes with high levels of electrostatic charging Minimize the risk of electrostatic charging by applying effective measures according to IEC 60079-32-1. |

| |
|---|
| NOTICE |
| Failure of the external protection If the paint finish is damaged, the geared motor may corrode. Do not damage the paint finish. |

Note

Information about the ability to be repainted does not guarantee the quality of the paint product supplied by your supplier.

Only the paint manufacturer is liable for the quality and compatibility.

2.6.2 Painted version

The corrosion protection system is classified according to the corrosiveness categories in DIN EN ISO 12944-2.

Table 2- 2 Paint according to corrosiveness categories

| Paint system | Description |
|--|--|
| Corrosiveness category C1, unpainted for gearbox and motor housings made of aluminum | |
| - | <ul style="list-style-type: none">• Indoor installation• Heated buildings with neutral atmospheres• Resistance to greases and some resistance to mineral oils, aliphatic solvents• Standard |

| Paint system | Description |
|--|---|
| Corrosiveness category C1 for normal environmental stress | |
| 1-component hydro paint, top coat | <ul style="list-style-type: none"> • Indoor installation • Heated buildings with neutral atmospheres • Resistance to greases and some resistance to mineral oils, aliphatic solvents • Standard paint for gearbox housings made of cast iron |
| Corrosiveness category C2 for low environmental stress | |
| 2-component - polyurethane top coat | <ul style="list-style-type: none"> • Indoor and outdoor installation • Unheated buildings with condensation, production areas with low humidity, e.g. warehouses and sports facilities • Atmospheres with little contamination, mostly rural areas • Resistance to greases, mineral oils and sulfuric acid (10 %), caustic soda (10 %) and some resistance to aliphatic solvents |
| Corrosiveness category C3 for medium environmental stress | |
| 2-component epoxy zinc phosphate base coat, 2-component polyurethane top coat | <ul style="list-style-type: none"> • Indoor and outdoor installation • Production areas with high humidity and some air contamination, e.g. food production areas, dairies, breweries and laundries • Urban and industrial atmospheres, moderate contamination from sulfur dioxide, coastal areas with low salt levels • Resistance to greases, mineral oils, aliphatic solvents, sulfuric acid (10 %), caustic soda (10 %) |

| Paint system | Description |
|---|--|
| Corrosiveness category C4 for high environmental stress | |
| 2-component epoxy zinc phosphate base coat, 2-component polyurethane top coat | <ul style="list-style-type: none"> Indoor and outdoor installation Chemical plants, swimming pools, wastewater treatment plants, electroplating shops, and boathouses above seawater Industrial areas and coastal areas with moderate salt levels Resistance to greases, mineral oils, aliphatic solvents, sulfuric acid (10 %), caustic soda (10 %) |
| Corrosiveness category C5 for very high environmental stress | |
| 2-component epoxy zinc phosphate base coat, 2-component polyurethane intermediate coat, 2-component polyurethane top coat | <ul style="list-style-type: none"> Indoor and outdoor installation Buildings and areas with almost constant condensation and high contamination, e.g. malt factories and aseptic areas Industrial areas with high humidity and aggressive atmosphere, coastal areas and offshore environments with high salt levels Resistance to greases, mineral oils, aliphatic solvents, sulfuric acid (10 %), caustic soda (20 %) |

In case of corrosiveness category C1, overpainting with a 1-component hydrosystem after prior rubbing down is possible.

In case of corrosiveness categories C2 to C5, overpainting with 2-component polyurethane paint, 2-component epoxide paint and 2-component acrylic paint after prior rubbing down is possible.

2.6.3 Primed version

Table 2- 3 Primer according to corrosiveness categories

| Paint system | Can be overpainted with |
|---|--|
| Unpainted (corrosiveness category C1 G) | |
| Cast iron parts immersion primed, steel parts primed or zinc-plated, aluminum and plastic parts untreated | <ul style="list-style-type: none"> Synthetic paint, synthetic resin paint, oil paint 2-component polyurethane paint 2-component epoxy paint |

| Paint system | Can be overpainted with |
|---|--|
| Primer according to corrosiveness category C2 G | |
| 2-component metal primer, desired coat thickness 60 µm | <ul style="list-style-type: none"> • 2-component polyurethane paint • 2-component epoxy paint, acid-hardening paint • 2-component acrylic paint |
| Primer according to corrosiveness category C4 G | |
| 2-component epoxide zinc phosphate, desired coat thickness 120 µm | <ul style="list-style-type: none"> • 2-component polyurethane paint • 2-component epoxy paint, acid-hardening paint • 2-component acrylic paint |

2.7 ATEX ignition hazards in accordance with DIN EN 80079-37



ATEX version gearboxes

ATEX marking

Regardless of the type of protection, the letter »h« is always assigned. In addition to the marking on the rating plate, the valid types of protection below are applied:

Constructional safety "c"

The constructional safety is ensured by the selection of suitable materials and components, the dimensioning of the product for the customer's application, suitable sealing systems, adequate lubrication of rolling bearings, geared components and seals, and by thermal testing.

Liquid immersion "k"

The liquid immersion is achieved through oil bath lubrication. Refer to the rating plate and the Operating Instructions for the original oil filling.

Control of ignition sources "b"

Control of ignition sources is achieved by a temperature check and/or electrical oil level check.



ATEX version gearboxes

Service and maintenance work that are relevant for the type of protection shall only be carried out by Steinlen service personnel or by Steinlen authorized partners.

Incoming goods, transport, and storage

3.1 Incoming goods

| |
|--|
| NOTICE |
| Transport damage impairs correct functioning |
| Do not commission faulty gearboxes or geared motors. |

Note

Do not open or damage parts of the packaging that preserve the product.

Note

Check that the technical specifications are in accordance with the purchase order.

Inspect the delivery immediately on arrival for completeness and any transport damage.

Notify the freight company of any damage caused during transport immediately (this is the only way to have damage rectified free of charge). Steinlen Elektromaschinenbau GmbH will not accept any claims relating to items missing from the delivery and which are submitted at a later date.

The gearbox or geared motor is delivered in a fully assembled condition. Additional items are sometimes delivered packaged separately.

The products supplied are listed in the dispatch papers.

3.2 Transport

3.2.1 General information on transport

| |
|---|
| NOTICE |
| The use of force will damage the gearbox or geared motor |
| Transport the gearbox or geared motor carefully. Avoid knocks. |
| Before putting the drive into operation, remove any transport fixtures and keep them safe or render them ineffective. You can then use them again for transporting further items or you can apply them again. |

Different forms of packaging may be used, depending on the size of the gearbox or geared motor and the method of transport. Unless contractually agreed otherwise, the seaworthy packaging complies with HPE Packaging Guidelines (Bundesverband Holzpackmittel Paletten Exportverpackungen e.V., the German Federal Association for wooden packaging, pallets, and export packaging).

Note the symbols which appear on the packaging. These have the following meanings:



This way up



Center of gravity



Fragile



Do not use hand hook



Keep dry




Attach here



Keep cool

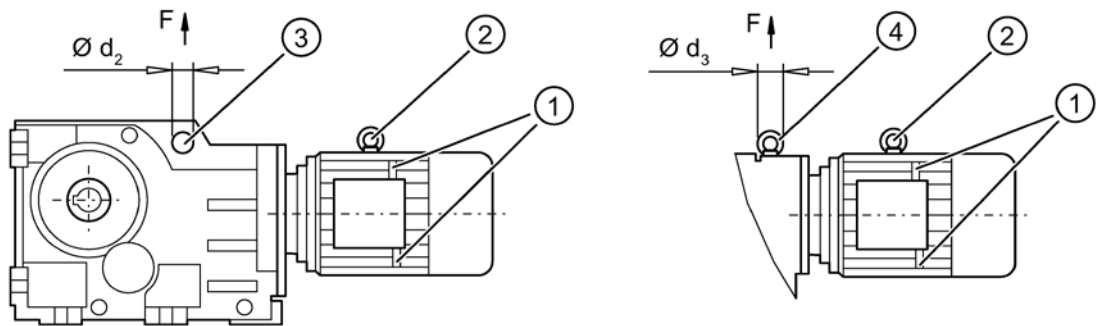
3.2.2 Fastening for suspended transport

| |
|---|
|  WARNING |
| <p>Inadequately secured gearbox or geared motors</p> <p>Observe the maximum load for the transport eye ③ of the bevel helical gearbox or the eyebolt axis ④.</p> <p>Use only the transport eye ③ or eyebolt ④ of the gearbox to transport the gearbox or geared motor.</p> <p>Do not use the integrally cast lifting eyes ① on the motor for transport because of the risk of breaking. Only use the eyebolt ② on the motor to transport the motor prior to mounting or following removal.</p> <p>If necessary, use additional, suitable lifting accessories for transport or during installation.</p> <p>When attaching by a number of chains and ropes just two strands must be sufficient to bear the entire load. Secure lifting accessories against slipping.</p> |

| |
|--|
| NOTICE |
| <p>Do not rig eyebolts to the front threads at the shaft ends for transportation purposes</p> |

Transport eye on the bevel helical gearbox

Eyebolt on the helical gearbox, parallel shaft gearbox, helical worm gearbox



- ① Integrally cast eye on the motor
- ② Eyebolt on the motor
- ③ Transport eye on the bevel helical gearbox
- ④ Eyebolt on the gearbox

Figure 3-1 Fastening the gearbox or geared motor for suspended transport

3.2 Transport

The maximum load m in kg generated by the geared motor to be attached, with pull \uparrow in direction F is listed in the following tables:

Table 3- 1 Maximum load of the transport eye on the bevel helical gearbox

| Size | m | d ₂ | Size | m | d ₂ |
|-------|------|----------------|-------|-------|----------------|
| | [kg] | [mm] | | [kg] | [mm] |
| K.38 | 200 | 22 | K.128 | 800 | 40 |
| K.48 | 250 | 22 | K.148 | 1 300 | 44 |
| K.68 | 350 | 26 | K.168 | 1 800 | 55 |
| K.88 | 600 | 30 | K.188 | 2 300 | 55 |
| K.108 | 750 | 35 | | | |

Table 3- 2 Maximum load of the eyebolt on the gearbox

| Thread size | m | d ₃ | Thread size | m | d ₃ |
|-------------|------|----------------|-------------|-------|----------------|
| | [kg] | [mm] | | [kg] | [mm] |
| M8 | 140 | 36 | M20 | 1 200 | 72 |
| M10 | 230 | 45 | M24 | 1 800 | 90 |
| M12 | 340 | 54 | M30 | 3 600 | 108 |
| M16 | 700 | 63 | | | |


Procedure

1. Mount the geared motor on the transport device by the heaviest permissible weight to be attached. This will normally be on the main gearbox.
2. Check that the eyebolt is firmly seated.

The geared motor is slung for transport.

3.3 Storage

3.3.1 General information for storage

| |
|---|
|  WARNING |
| <p>Danger of serious injuries caused by falling objects</p> <p>Danger of damage to the gearbox when stacked</p> <p>Do not stack gearboxes or geared motors on each other.</p> |
| <p>NOTICE</p> <p>Failure of the external protection</p> <p>Mechanical damage, chemical damage and thermal damage, such as scratches, acids, alkalis, sparks, welding beads and heat cause corrosion.</p> <p>Do not damage the paint finish.</p> |

Unless contractually agreed otherwise, the guarantee period for the standard preservative lasts 6 months from the date of delivery.

In the case of storage in transit over 6 months, special arrangements must be made for preservation. Please contact Technical Support.

Store the gearbox or geared motor in dry, dust-free rooms that are maintained at a constant temperature.

The storage location must be vibration- and shock-free.

The free shaft ends, sealing elements and flange surfaces must have a protective coating.

3.3.2 Storage up to 36 months with long-term preservation (optional)

3.3.2.1 General notes for storage up to 36 months

Store the gearbox or geared motor in dry, dust-free rooms that are maintained at a constant temperature. Special packing is then not necessary.

If such premises are not available, pack the gearbox or the geared motor in plastic film or air-tight sealed film and materials. The films and materials must be able to accept moisture. Cover them to provide protection against heat, direct sunlight and rain.

The permissible ambient temperature is -25 °C to +50 °C.

The life of the corrosion protection is 36 months from delivery.

3.3 Storage

3.3.2.2 Gearbox filled with operating oil and anti-corrosive agent

| |
|--|
| NOTICE |
| Damage to the gearbox caused by incorrect oil quantities Check the oil level before commissioning. Observe the information and procedures for Checking the oil level (Page 60). |

The gearbox is filled with oil corresponding to the mounting position so that it is ready for operation, and is sealed airtight using a screw plug or with a pressure breather valve with transport fixture.

For storage up to 36 months, a VCI anti-corrosion agent (**V**olatile **C**orrosion **I**nhibitor) is added.

3.3.2.3 Gearbox completely filled with oil

| |
|---|
| NOTICE |
| Damage to the gearbox caused by incorrect oil quantities Prior to commissioning, remove excessive oil until it has the correct oil level. Observe the information and procedures for Correcting the oil level (Page 60). |

When biodegradable oils or oils for the food-processing sector are used, the gearbox is filled completely with operating oil. The gearbox is closed air-tight with a sealing plug or a pressure venting with transport fixture.

Do not lower the oil level during short-time commissioning for 10 minutes in no-load operation.

Installation

4.1 Unpacking

NOTICE

Transport damage impairs the correct function of the geared motor

Never commission faulty or defective motors.

Check the motor for completeness and damage. Report any missing parts or damage immediately.

Remove and dispose of the packaging material and transport equipment in compliance with regulations.

4.2 General information on installation



ATEX version gearboxes

Effect on bearings of stray electric currents from electrical equipment.

When mounting the gearbox on or connecting it to the machine, take care to ensure potential equalization. The information on grounding and equipotential bonding provided by the motor supplier must be observed.



WARNING

Operating under load

Under load, the system can start or reverse in an uncontrolled fashion.

The entire system must be load-free so that there is no danger during this work.

NOTICE

Destruction caused by welding

Welding destroys the geared parts and bearings.

Do not weld on the gearbox. The gearbox must not be used as a grounding point for welding operations.

| |
|---|
| NOTICE |
| Overheating caused by solar radiation |
| Overheating of the gearbox due to exposure to direct sunlight. Provide suitable protective equipment such as covers or roofs. Prevent heat accumulation. |

| |
|--|
| NOTICE |
| Malfunction resulting from foreign objects |
| The operator must ensure that no foreign objects impair the function of the gearbox. |

| |
|---|
| NOTICE |
| Damaged components impair the correct function of the gearbox |
| If any components are damaged, the correct function of the gearbox will no longer be ensured. Do not install any damaged gearbox components. |

| |
|--|
| NOTICE |
| Violation of the maximum permissible oil sump temperature |
| The oil sump temperature may be exceeded if the temperature monitoring equipment is incorrectly set. An alarm must be output when the maximum permissible oil sump temperature is reached. The geared motor must be switched off when the maximum permissible temperature is exceeded. If the geared motor is shut down, then this can cause the machine to come to a stop. |

Exercise particular care during mounting and installation. The manufacturer cannot be held liable for damage caused by incorrect mounting and installation.

Make sure that there is sufficient space around the gearbox or geared motor for mounting, maintenance and repair.

On geared motors with a fan, leave sufficient free space for the entry of air. Observe the installation conditions for the geared motor.

Provide sufficient lifting gear at the start of mounting and fitting work.

Observe the mounting position specified on the rating plate. This ensures that the correct quantity of lubricant is provided.

Use all the fastening means that have been assigned to the particular mounting position and mounting type.

Cap bolts cannot be used in some cases due to a lack of space. In such cases, please contact Technical Support quoting the type of gearbox.

4.3 Thread sizes and tightening torques for fastening bolts

The general tolerance for the tightening torque is 10 %. The tightening torque is based on a friction coefficient of $\mu = 0.14$.

Table 4- 1 Tightening torques for fastening bolts

| Thread size | Tightening torque for strength class | | |
|-------------|--------------------------------------|-------|-------|
| | 8.8 | 10.9 | 12.9 |
| | [Nm] | [Nm] | [Nm] |
| M4 | 3 | 4 | 5 |
| M5 | 6 | 9 | 10 |
| M6 | 10 | 15 | 18 |
| M8 | 25 | 35 | 41 |
| M10 | 50 | 70 | 85 |
| M12 | 90 | 120 | 145 |
| M16 | 210 | 295 | 355 |
| M20 | 450 | 580 | 690 |
| M24 | 750 | 1 000 | 1 200 |
| M30 | 1 500 | 2 000 | 2 400 |
| M36 | 2 500 | 3 600 | 4 200 |

4.4 Fastening in the case of high shock loads

In the case of high shock loads provide additional suitable positive fastenings such as cylindrical taper pins or spring pins.

NOTICE

Do not use spring washers, serrated lock washers, spring or toothed lock washers, cup washers or conical spring washers as a substitute for the above positive connections

Do not subject the housing to excessive stress when tightening the fastening bolts.

4.5 Gearbox with foot mounting

NOTICE

Impermissible housing loadings when unevenness present

Do not subject the gearbox to excessive stress when tightening the fastening bolts.

The foundation must be level and free from dirt.

The levelness deviation of the gearbox support must not exceed the following values:

For gearboxes up to size 88: 0.1 mm

For gearboxes as of size 108: 0.2 mm

The foundation should be designed in such a way that no resonance vibrations are created and no vibrations are transmitted from adjacent foundations.

The foundation structure on which the gearbox is to be mounted must be torsionally rigid. It must be dimensioned according to the weight and torque, taking into account the forces acting on the gearbox. If the substructure is too weak, it will cause radial or axial displacement during operation that cannot be measured at a standstill.

If the gearbox is fastened to a concrete foundation, use foundation blocks for the appropriate recesses.

Align and grout the slide rails into the foundation.

Align the gearbox carefully with the units on the input and output side. Take into account the elastic deformation due to operating forces.

Prevent displacement from external forces due to lateral impacts.

Use stud bolts or headless screws of strength class 8.8 or higher for the foot mounting. Observe the tightening torque.

4.6 Gearboxes in foot or flange version

| |
|---|
| NOTICE |
| Impermissible housing loadings caused by incorrectly installed add-on elements |
| Do not subject the gearbox housing to excessive stress by adding add-on elements to the foot or flange. |
| Add-on elements must not transmit forces, torques, and vibrations to the gearbox. |

To prevent strains on the housing, fasten the gearbox only on the flange or the foot fastening for force and torque transmission. Refer to Gearbox with foot mounting (Page 30).

The second mounting option (foot or flange) is intended for add-on elements, e.g. protection covers with an intrinsic weight of up to max. 30 % of the weight of the gearbox.

4.7 Gearbox with C-type housing flange

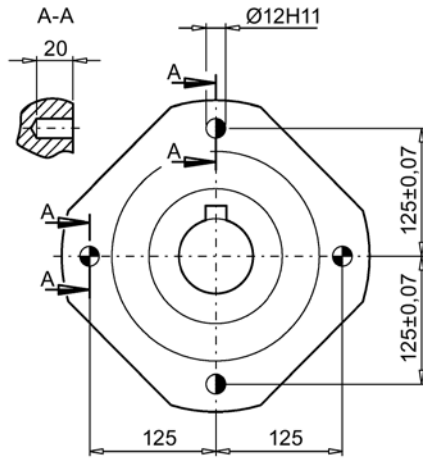
In the case of sizes 108 to 188, the customer's interface can be pinned on the C-type housing flange. The output flange has been designed to ensure the reliable transmission of the permissible torque and radial force by the bolt connections.

For additional fastening, e.g. in the case of high shock loads, the existing drilled pin holes can be used.

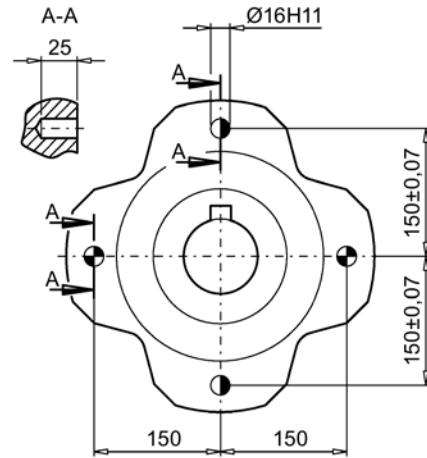
The gearboxes can also be drilled and pinned together with the machine. Compliance with the listed dimensions is mandatory in this case.

NOTICE
 Observe the maximum drilling depth (A-A)

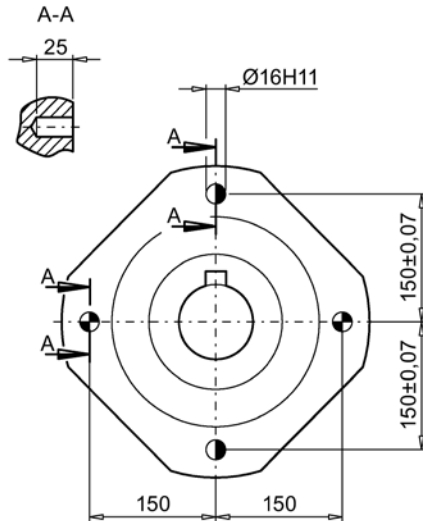
EZ128, DZ/ZZ108



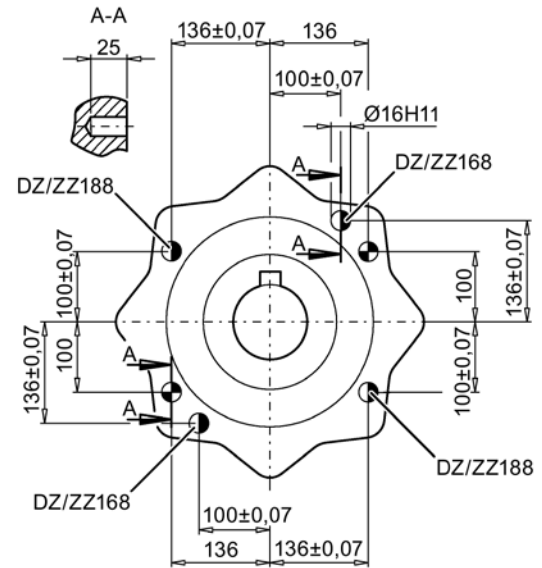
EZ148, DZ/ZZ128



DZ/ZZ148



DZ/ZZ168, DZ/ZZ188



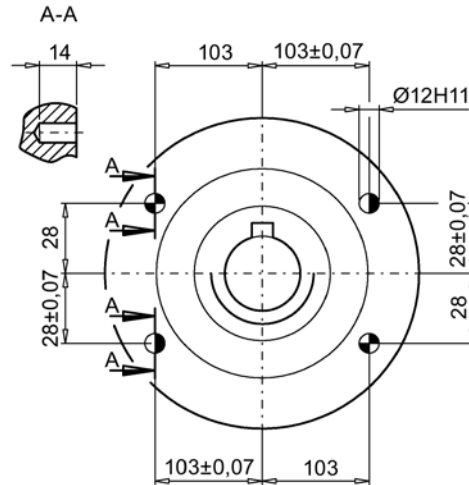
- Spring pin, heavy-duty design, to DIN 1481:
Use pin holes provided in the housing flange.
- Cylindrical grooved pin with chamfer to DIN EN 28740 / ISO 8740:
Drill connecting component together with housing.

Figure 4-1 C-type case flange helical gearbox

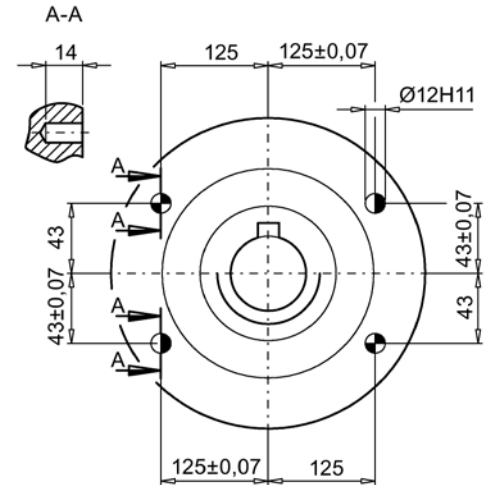
NOTICE

Observe the maximum drilling depth (A-A)

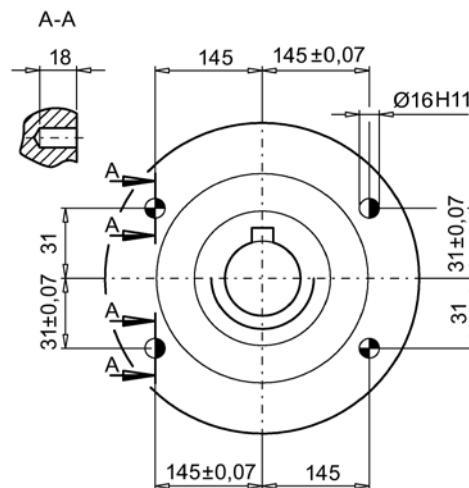
F.Z.108B, K.Z.108



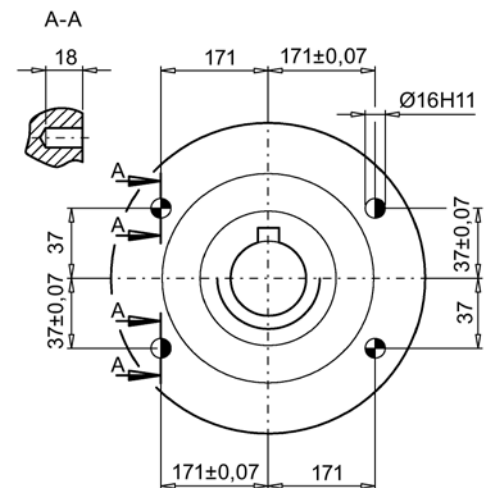
F.Z.128B, K.Z.128



F.Z.148B, K.Z.148




F.Z.168B, F.Z.188B, K.Z.168, K.Z.188



- Spring pin, heavy-duty design, to DIN 1481:
Use pin holes provided in the housing flange.
- Cylindrical grooved pin with chamfer to DIN EN 28740 / ISO 8740:
Drill connecting component together with housing.

Figure 4-2 C-type housing flange parallel shaft gearbox and bevel helical gearbox

4.8 Mounting an input or output element on the gearbox shaft

| |
|--|
|  WARNING |
| Risk of burns caused by hot parts Do not touch the gearbox without protection. |

| |
|---|
| NOTICE |
| Damage to shaft sealing rings caused by solvent Avoid any contact of solvent or benzine with the shaft sealing rings. |

| |
|---|
| NOTICE |
| Damage to shaft sealing rings caused by heating Use thermal shields to protect shaft sealing rings from heating above 100 °C due to radiant heat. |

| |
|---|
| NOTICE |
| Premature wear or material damage due to misalignment Misalignment caused by excessive angular or axis displacement to the connecting shaft ends. Ensure precise alignment of the individual components. |

| |
|--|
| NOTICE |
| Damage caused by improper handling Bearings, housing, shaft and locking rings are damaged due to improper handling. Do not use impacts or knocks to force the input and output elements to be mounted onto the shaft. |

Note
Deburr the parts of elements to be fitted in the area of the hole or keyways.
Recommendation: 0.2 x 45°

Where couplings are to be fitted in a heated condition, observe the specific operating instructions for the coupling. Unless otherwise specified, apply the heat inductively using a torch or in a furnace.

Use the center holes in the shaft end faces.

Use a fitting device to fit the input or output elements.

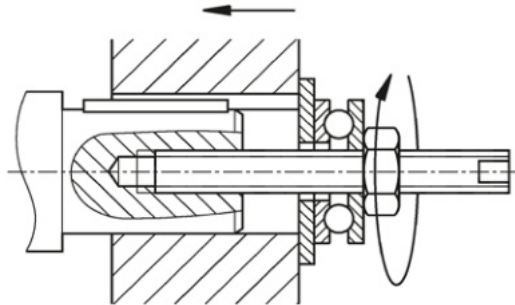
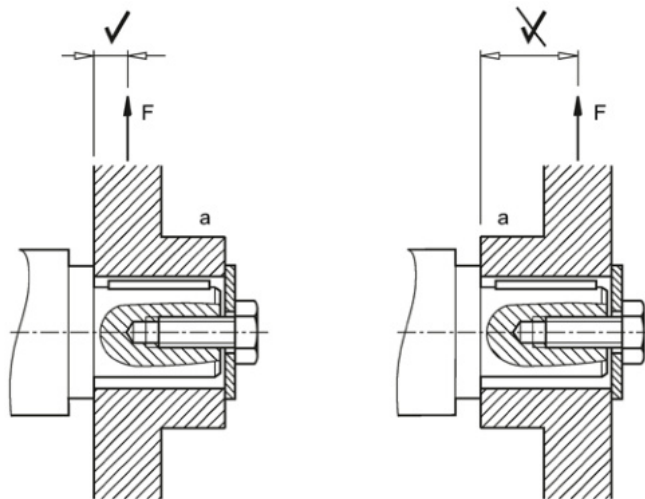


Figure 4-3 Example of a fitting device

Observe the correct mounting arrangement to minimize stress on shafts and bearings due to lateral forces.

Correct

Incorrect



a Hub
F Force

Figure 4-4 Mounting arrangement for low stress on shafts and bearings

Procedure

1. Use either benzine or solvent to remove the anti-corrosion protection from the shaft ends and flanges or remove the applied protective skin.
2. Fit the drive input and output elements to the shafts. Fasten the elements when necessary.

You have now fitted the input or output element.

4.9 Removing and installing the protection cover

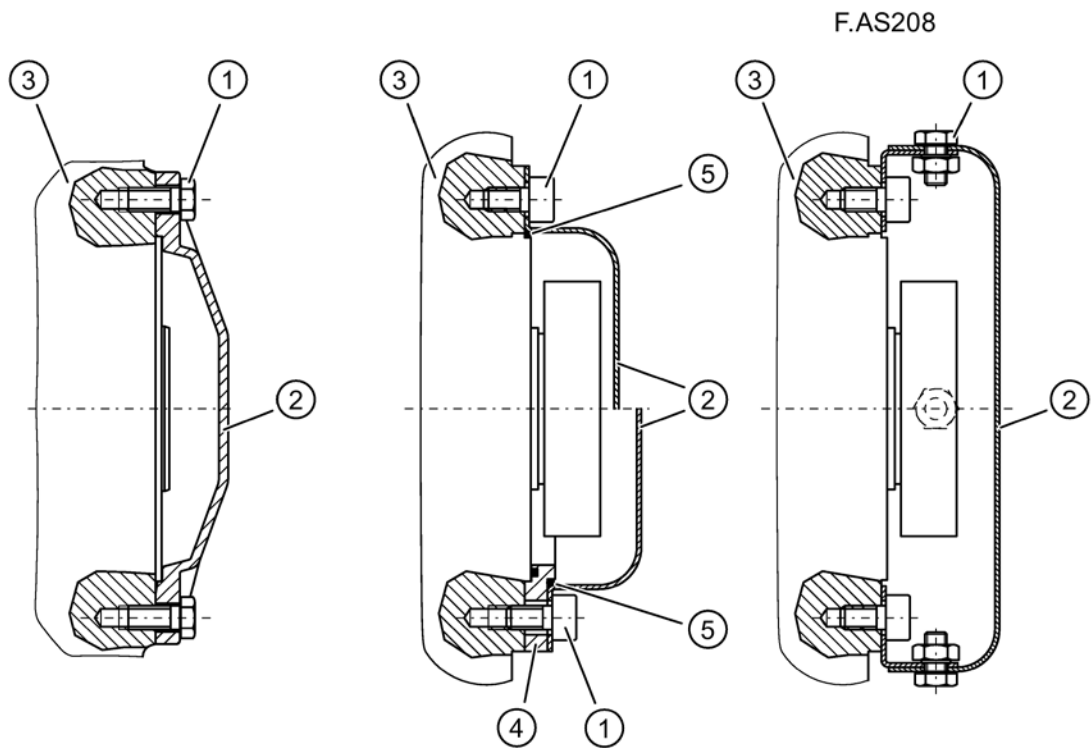


ATEX version gearbox with shrink disk

Sparks may be caused by a damaged protection cover.
Replace damaged protection covers immediately.

The protection cover is delivered ready-fitted to the gearbox flange. The protection cover must be removed in order to fit the output shaft.

Protection cover for hollow shaft Protection cover for hollow shaft with shrink disk



- ① Screw
- ② Protection cover
- ③ Gearbox housing
- ④ Intermediate ring
- ⑤ O-ring

Figure 4-5 Protection covers

The O-ring ⑤ is only present with the ATEX version.

The intermediate ring ④ is only supplied on the foot version of the bevel helical gearbox in sizes 68, 108 to 168.

Procedure

1. Undo the screws ① and remove the protection cover ②.
 2. Fit the output shaft.
 3. Using a suitable cleaning agent, clean the contact surface of the protection cover ② on the gearbox.
 4. With the protection cover for shrink disk in the ATEX version, ensure that the O-ring ⑤ is correctly seated.
 5. Coat the supporting surface of the protection cover ② with a suitable sealing agent.
 6. Screw on the protection cover ②.
 7. Protect all remaining bare areas with a suitable permanent anti-corrosive agent.
- You have now installed the protection cover for operation.

4.10 Removing and installing the shaft-mounted gearbox

4.10.1 General information on installing the shaft-mounted gearbox

| |
|---|
| NOTICE |
| Damage to shaft sealing rings caused by solvent |
| Avoid any contact of solvent or benzine with the shaft sealing rings. |

| |
|--|
| NOTICE |
| Subjecting stress to the hollow shaft causes bearing failure |
| Skewing or stressing the hollow shaft increases the loading. This can cause bearing failure. |
| The hollow shaft must be flush with the machine shaft to avoid misalignment. |
| Do not subject the hollow shaft to axial and radial stress. |

| |
|---|
| NOTICE |
| For shrink disks: |
| Lubricants in the area between the hollow shaft and machine shaft impair torque transmission |
| Keep the bore in the hollow shaft and the machine shaft completely grease-free. |
| Do not use impure solvents and soiled cleaning cloths. |

4.10 Removing and installing the shaft-mounted gearbox

Note

Coat the contact surfaces with the mounting paste supplied with the product or any suitable lubricant to prevent frictional corrosion.

Note

Observe the permissible concentricity tolerance of the cylindrical shaft extension of the machine shaft to the housing axle according to DIN 42955.

4.10.2 Removing and installing the hollow shaft

4.10.2.1 Mounting the hollow shaft

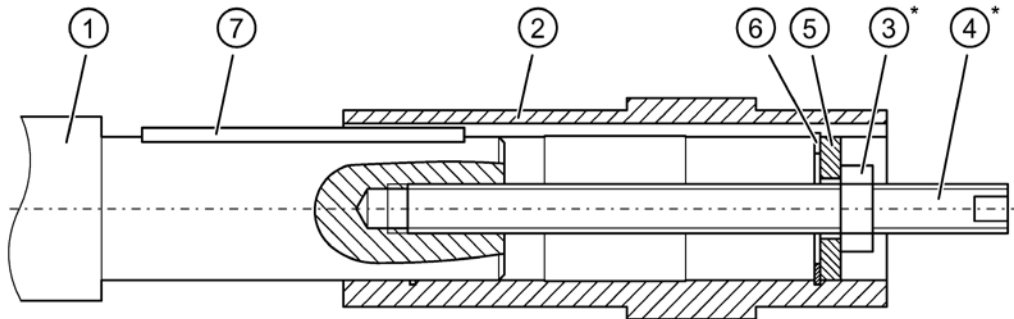


Figure 4-6 Installing the hollow shaft with parallel key

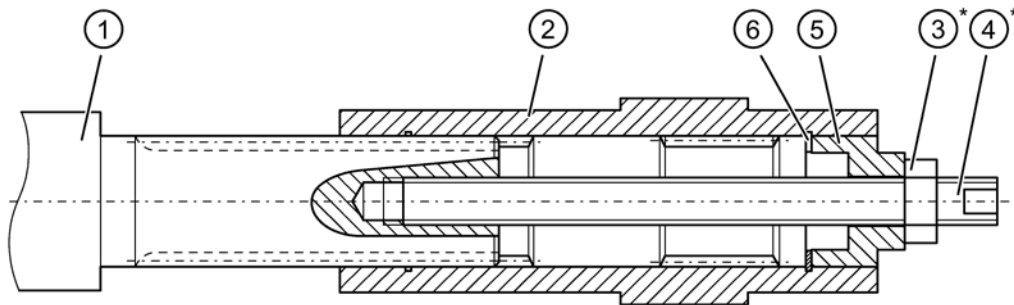
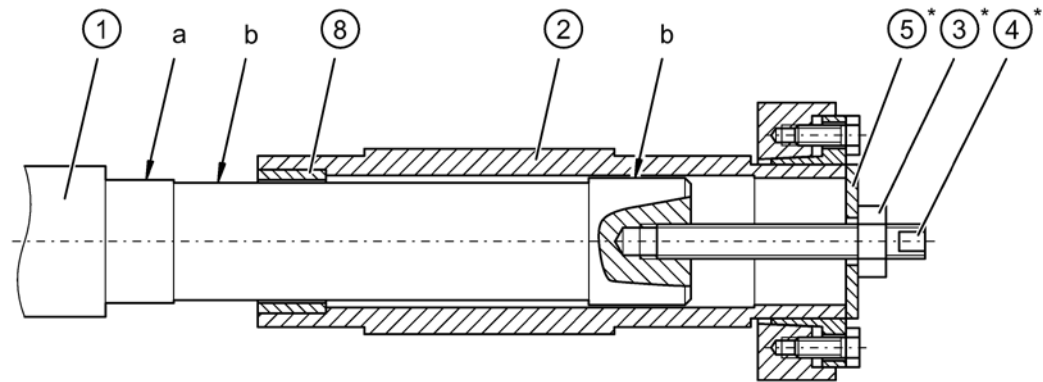


Figure 4-7 Installing the hollow shaft with splines

4.10 Removing and installing the shaft-mounted gearbox



- a Greased
- b Absolutely grease-free

Figure 4-8 Installing the hollow shaft with shrink disk

* Not included in scope of supply

- ① Machine shaft
- ② Hollow shaft
- ③ Hexagon nut
- ④ Threaded spindle
- ⑤ Disk
- ⑥ Locking ring
- ⑦ Parallel key
- ⑧ Bronze bush

Instead of the nut and threaded spindle shown in the diagram, other types of equipment such as hydraulic lifting equipment may be used.

Procedure

1. Using benzine or a solvent, remove the anti-corrosion protection from the shaft ends and flanges.
2. Check the seats or edges of the hollow and machine shafts for damage. Please contact Technical Support if you notice any damage.
3. Fit the gearbox using a disk ⑤, threaded spindle ④ and nut ③. The counterforce is provided by the hollow shaft ②.
4. For hollow shaft with parallel key and hollow shaft with splines:
 Replace the nut ③ and threaded spindle ④ with a setscrew and tighten it with the specified torque.
 For hollow shaft with shrink disk:
 Remove the disk ⑤, threaded spindle ④ and nut ③.

You have now installed the hollow shaft.

Table 4- 2 Tightening torque for setscrews

| Thread size | M5 | M6 | M8 | M10 | M12 | M16 | M20 | M24 | M30 |
|------------------------|----|----|----|-----|-----|-----|-----|-----|-----|
| Tightening torque [Nm] | 5 | 8 | 8 | 14 | 24 | 60 | 120 | 200 | 400 |

4.10.2.2 Removing the hollow shaft with parallel key

⚠ WARNING

Inadequately secured gearboxes or geared motors can break loose

Before driving out the machine shaft, fasten a suitably dimensioned means of absorbing load to the gearbox.

Slightly pretension the drive element so that the gearbox does not drop into the drive element when the insert shaft is released.

NOTICE

Subjecting stress to the hollow shaft causes bearing failure

It is essential to prevent misalignment when removing the unit.

NOTICE

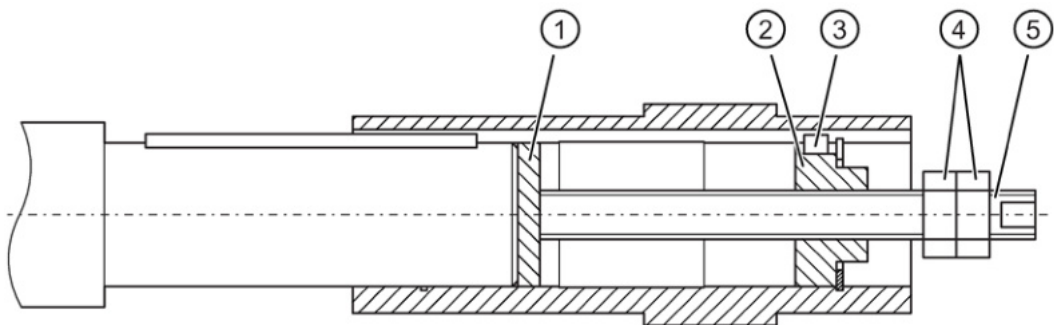
Excessive forces during removal

Excessive forces can occur during removal of the hollow shaft via the housing.

Stresses in the hollow shaft can lead to bearing failure and damage to the gearbox housing.

Note

If frictional corrosion has occurred on the seat surfaces, use rust solvent to facilitate the removal of the gearbox. Allow the rust solvent to work in sufficiently.



- ① Disk
- ② Threaded block
- ③ Parallel key
- ④ Hexagon nut
- ⑤ Threaded spindle

Figure 4-9 Removing the hollow shaft with parallel key

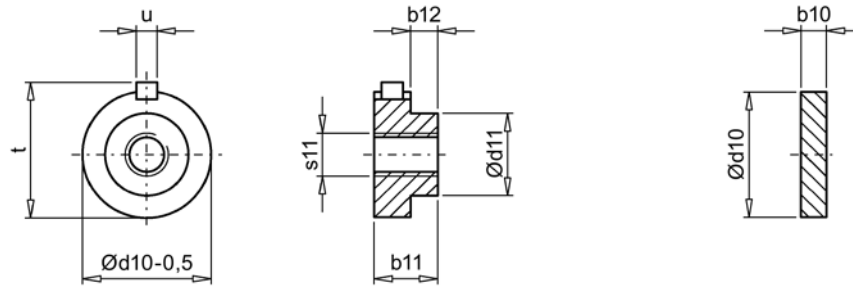
Items ① to ⑤ are not included in the scope of supply.

Procedure

1. Remove the axial fastening from the hollow shaft.
2. Drive out the machine shaft using the disk ①, threaded block ②, parallel key ③, threaded spindle ⑤ and hexagon nuts ④.

You have now removed the hollow shaft with parallel key.


Design suggestion for threaded block and disk



| Size | b10 | b11 | b12 | d10 | d11 | s11 | t _{max} | u |
|------|------|------|------|-------|------|-----|------------------|------|
| | [mm] | [mm] | [mm] | [mm] | [mm] | | [mm] | [mm] |
| 28 | 3 | 15 | 10 | 19.9 | 10 | M6 | 22.5 | 6 |
| | | | | 24.9 | 14 | M8 | 28 | 8 |
| 38 | - | 15 | 10 | - | 14 | M8 | 28 | 8 |
| | 6 | | | 29.9 | 18 | M10 | 33 | 10 |
| | | | | | | | 38 | |
| 48 | 6 | 15 | 5 | 34.9 | 24 | M12 | 43 | 10 |
| | | | | 39.9 | 28 | | | 12 |
| 68 | 7 | 20 | 7 | 39.9 | 28 | M16 | 48.5 | 12 |
| | | | | 44.9 | 33 | | | 14 |
| 88 | 7 | 20 | 10 | 49.9 | 36 | M16 | 64 | 14 |
| | | | | 59.9 | 45 | | | 18 |
| 108 | 10 | 24 | 10 | 59.9 | 45 | M20 | 74.5 | 18 |
| | | | | 69.9 | 54 | | | 20 |
| 128 | 10 | 24 | 5 | 69.9 | 54 | M20 | 85 | 20 |
| | | | | 79.9 | 62 | | | 22 |
| 148 | 10 | 24 | 7 | 79.9 | 62 | M20 | 95 | 22 |
| | | | | 89.9 | 72 | | | 25 |
| 168 | 10 | 30 | 8 | 99.9 | 80 | M24 | 106 | 28 |
| | | | | 109.9 | 90 | | 116 | |
| 188 | 10 | 30 | 11 | 119.9 | 95 | M24 | 127 | 32 |

4.10.3 Shrink disk

4.10.3.1 Mounting the shrink disk

| |
|--|
|  WARNING |
| Risk of injury due to freely rotating parts Fit a cover cap or protection cover. |

| |
|---|
| NOTICE |
| Lubricants in the shrink disk seat impair torque transmission Keep the bore in the hollow shaft and the machine shaft completely grease-free. Do not use impure solvents and soiled cleaning cloths. |

| |
|---|
| NOTICE |
| Plastic deformation of the hollow shaft caused by tightening the tightening bolts Plastic deformation of the hollow shaft when tightening the tightening bolts before fitting the machine shaft. First fit machine shaft. Then tighten the tightening bolts. |

| |
|--|
| NOTICE |
| Avoid overloading the individual bolts Do not exceed the maximum tightening torque for tightening bolt. Size 28: Tighten tightening bolts ③. Sizes 38 - 208: What is of prime importance is that the end faces of the outer ring ① and inner ring ② are flush with one another. If they are not flush with one another when tensioning, check the tolerance of the insert shaft. |

Note

The shrink disk is delivered ready for installation.

Do not dismantle the shrink disk before initial fitting.

Note

The machine shaft material must comply with the following criteria in order to safely and reliably transfer the forces and torques.

- Yield point $Re \geq 360 \text{ N/mm}^2$
- Modulus of elasticity: approx. 206 kN/mm^2
- No face end thread in the machine shaft because it would reduce the transferred torque

Note

The shrink-fitted disc connection fastens the hollow shaft axially on the machine shaft.

Note

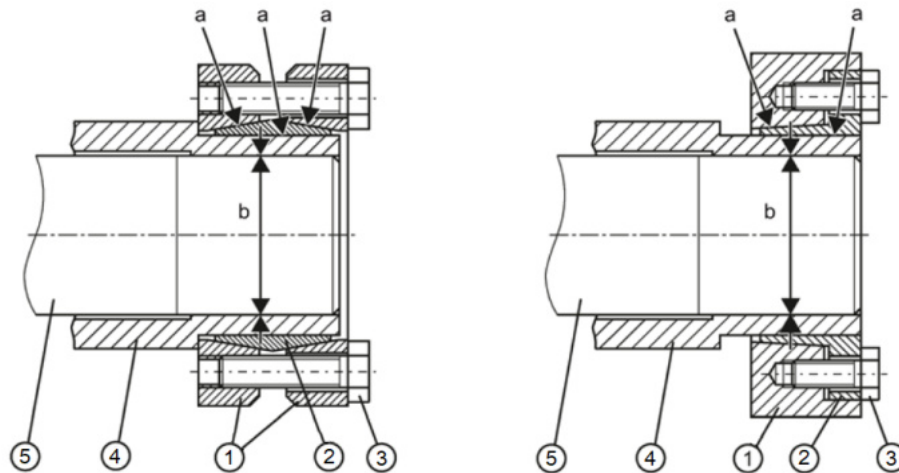
Apply a thin layer of grease to the shrink disk seat on the hollow shaft.

Note

Coat with a suitable lubricant to prevent frictional corrosion of the contact surface on the customer's machine shaft in the vicinity of the bush.

Size 28, 208 reinforced

Sizes 38 - 208



- a Greased
- b Absolutely grease-free
- ① Outer ring
- ② Inner ring
- ③ Tightening bolt
- ④ Hollow shaft
- ⑤ Machine shaft

Figure 4-10 Mounting the shrink disk

Procedure

1. Tighten the tightening bolts ③ handtight initially.
2. Working round several times, evenly tighten the tightening bolts ③ by a ¼ turn each time (not crosswise).
3. Attach the rubber cover or protection cover included in the scope of delivery, see Removing and installing the protection cover (Page 36).

You have now installed the shrink disk.

Table 4- 3 Tightening torque for tightening bolt

| Gearbox size | Thread size | Strength class | Tightening torque |
|----------------|-------------|----------------|-------------------|
| | | | [Nm] |
| 28 | M5 | 8.8 | 5 |
| 38, 48, 68, 88 | M8 | 12.9 | 35 |
| 108, 128 | M10 | 12.9 | 70 |
| 148 | M12 | 12.9 | 121 |
| 168, 188 | M14 | 12.9 | 193 |
| 208 | M16 | 12.9 | 295 |
| | M20 | 12.9 | 570 |

4.10.3.2 Pulling off the shrink disk

Procedure

1. Release the tightening bolts ③ one after the other by a ¼ turn each time using a wrench. Do not completely remove the bolts.
2. Pull the shrink disk off the hollow shaft.

Sizes 38 - 208:

If the outer ring does not come away from the inner ring, remove some of the tightening bolts and insert them into neighboring back-off threads.

You have pulled the shrink disk off the hollow shaft.

4.10.3.3 Cleaning and lubricating shrink disks

Soiled shrink disks must be cleaned and regreased prior to fitting.

Shrink disks that have been released need not be disassembled and regreased before being retensioned.

Procedure

1. Only grease the inner friction surfaces of the shrink disks. To do this, use a solid lubricant with a friction coefficient of $\mu = 0.04$.
2. Use a paste containing MoS₂ to grease the bolts, applying the paste to the thread and underneath the head.

Clean the shrink disk.

Table 4- 4 Lubricants for shrink disks

| Lubricant | Sold as | Manufacturer |
|----------------------------------|----------------|--------------------|
| Molykote 321 R (lubricant paint) | Spray | DOW Corning |
| Molykote spray (powder spray) | | |
| Molykote G Rapid | Spray or paste | Klüber Lubrication |
| Molykombin UMFT 1 | Spray | |
| Unimily P5 | Powder | |
| Aemasol MO 19 P | Spray or paste | A. C. Matthes |

4.10.4 Torque arms with shaft-mounted gearboxes

4.10.4.1 General information regarding torque arms

Torque arms can absorb the reaction torque and the weight force of the gearbox.



ATEX version gearboxes

Worn or irreparably damaged rubber elements will not function properly.

Impacts can cause sparks.

Damaged rubber elements must be replaced immediately.

NOTICE

Dangerous transient torques due to excess backlash

Take care to prevent the torque arm causing excessive constraining forces, e.g. due to the driven shaft running out-of-true.

NOTICE

Impermissible gearbox loading caused by incorrect mounting

Do not tension torque arms when mounting.

NOTICE

Damage to the rubber elements caused by solvent

Solvents, oils, greases, and fuels damage rubber elements.

Avoid contact at all times.

4.10.4.2 Mounting torque arms on parallel shaft gearboxes

We recommend using pretensioned, damping rubber elements.

Fixing accessories such as angles, bolts, nuts, etc., are not included in the scope of delivery.

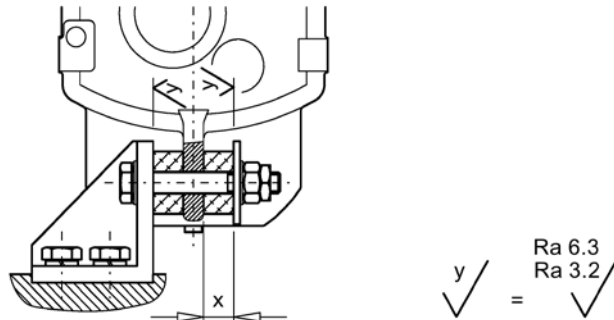


Figure 4-11 Mounting suggestion for torque arm on F.28, 38B - 188B

| Size | 28 | 38B | 48B | 68B | 88B | 108B | 128B | 148B | 168B | 188B |
|--------|----|------|------|-----|------|------|------|------|------|------|
| x [mm] | 14 | 13.1 | 18.2 | 17 | 27.2 | 26 | 35.8 | 34.8 | 46.2 | 45.1 |

Size 208

Note

The torque arm bush must be supported by bearings on both sides.

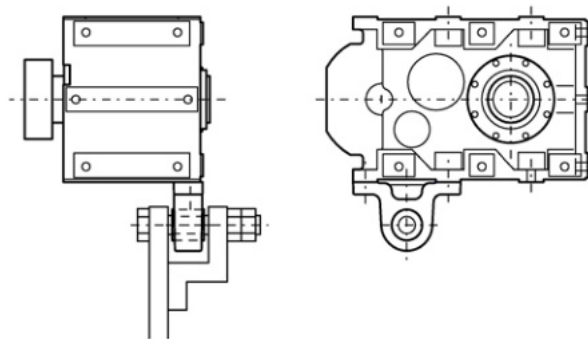


Figure 4-12 Mounting suggestion for torque arms on F.208

Procedure

1. Clean the contact surfaces between the housing and the torque arm.
2. Tighten the M30 bolts, strength class 8.8, with 1 500 Nm tightening torque.

You have now mounted the torque arm.

4.10.4.3 Mounting torque arms on bevel helical gearboxes and helical worm gearboxes

Note

The torque arm bush must be supported by bearings on both sides.

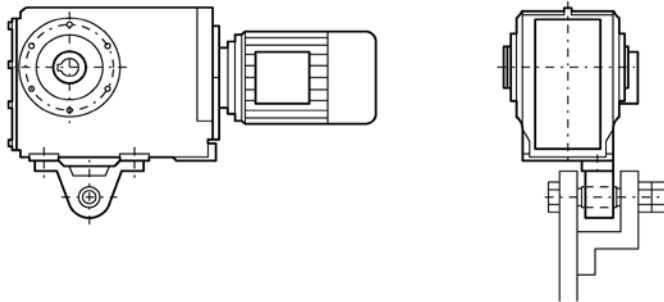


Figure 4-13 Mounting suggestion for torque arm on foot

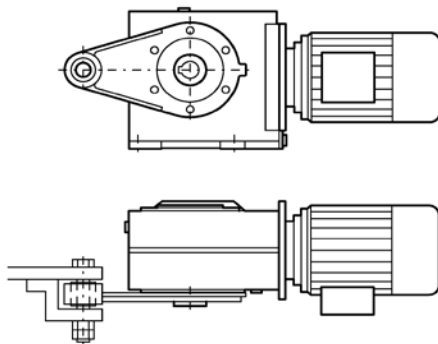


Figure 4-14 Mounting suggestion for torque arm on flange

The torque arm can be mounted in various positions, depending on the hole circle pitch.

Procedure

1. Clean the contact surfaces between the housing and the torque arm.
2. Tighten the bolts with the specified torque.



You have now mounted the torque arm.

Table 4- 5 Tightening torque for bolt of strength class 8.8 if torque arm is mounted

| Thread size | M8 | M10 | M12 | M16 | M20 | M24 | M30 |
|------------------------|----|-----|-----|-----|-----|-----|-------|
| Tightening torque [Nm] | 25 | 50 | 90 | 210 | 450 | 750 | 1 500 |

Commissioning

5.1 General information for commissioning

| |
|--|
|  WARNING |
| <p>Unintentional starting of the drive unit</p> <p>Secure the drive unit to prevent it from being started up unintentionally. Attach a warning notice to the start switch.</p> |
|  WARNING |
| <p>Risk of slipping on oil</p> <p>Remove any oil spillage immediately with an oil-binding agent.</p> |
| <p>NOTICE</p> |
| <p>Undershooting the minimum radial force can damage the bearings</p> <p>On cylindrical-roller bearings in the input unit, undershooting the minimum radial force can damage the bearings. Prolonged test runs when off-load must be kept to a minimum.</p> |

5.2 Checking the oil level prior to commissioning

Check the oil level before commissioning. Correct the oil quantity when required. Note Checking and changing lubricants (Page 59).

Steinlen Elektromaschinenbau GmbH recommends a complete oil change after a storage time longer than 24 months:

- For gearboxes with long-term preservation.
- For gearboxes supplied completely filled with oil.

Note Checking and changing lubricants (Page 59).

5.3 Vent filter

Vent filter without securing clip

In the case of gearboxes with housing ventilation, the necessary vent filter or pressure breather valve without a securing clip is delivered separately. They must be replaced with the appropriate vent plug before starting up the gearbox.

Observe the symbol in the type of construction diagrams, see Mounting positions (Page 87):



Ventilation

Procedure

1. Unscrew the vent plug.
2. Seal the gearbox with the vent filter or the pressure breather valve without securing clip.

You have now replaced the vent filter or pressure breather valve with the vent plug without the securing clip.

Pressure breather valve with securing clip

The pressure breather valve with securing clip ① is fitted to gearboxes which require housing ventilation.

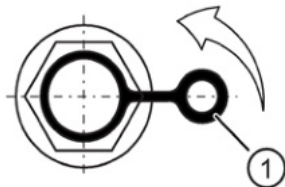


Figure 5-1 Pressure breather valve with securing clip

Remove the transport fixture by pulling the securing clip ① in the direction of the arrow.

5.4 Gearbox with backstop (optional)

NOTICE

Running in the wrong direction of rotation can damage the geared motor

Check the direction of rotation before starting up.

Turn the input side or motor over manually.

Use the phase sequence to check the direction of motor rotation and swap the two external conductors if necessary.



ATEX version gearboxes

The difference between the temperature of the housing and the ambient temperature of max. +40° C must not exceed 70 K.

Using a suitable temperature sensor, measure the temperature at the lowest point of the housing (oil sump) or at the mounting surface in the case of output units.

Changes are an indication of possible incipient damage.



CAUTION

Malfunctions can cause personal injuries or gearbox damage

In the event of changes during operation, the drive unit must be switched off immediately.

Determine the cause of the fault using the fault table (Page 53). Remedy faults or have faults remedied.

Check the gear unit during operation for:

- Excessive operating temperature
- Changes in gear noise
- Possible oil leakage at the housing and shaft seals

Faults, causes and remedies

Note

Faults and malfunctions that occur during the warranty period and requiring repair work on the gearbox must be remedied only by Technical Support. If faults occur without a clearly identifiable cause, Steinlen Elektromaschinenbau GmbH recommends the services of the Technical Support even after the warranty period has elapsed.

If you need the help from the Technical Support, please have the following information ready:

- Rating plate data
- Nature and extent of the fault
- Suspected cause

Table 7- 1 Faults, causes and remedies

| Faults | Causes | Remedy |
|-------------------------------|--|---|
| Unusual noise on the gearbox. | Oil level too low. | Check the oil level (Page 60). |
| | Foreign objects in the oil (irregular noise). | Checking the oil quality (Page 64). Cleaning the gearbox (Page 77). Change the oil (Page 59). |
| | Excessive bearing play and / or bearing defective. | Check the bearing and replace if necessary. |
| | Defective gearing. | Check the gearing and replace if necessary. |
| | Fastening bolts loose. | Checking tightness of fastening bolts (Page 76). |
| | Excessive external load on the drive input and output. | Check the load against rated data (you might need to correct the belt tension, for example). |
| | Transport damage. | Check the gearbox for damage in transit. |
| | Damage due to blockage during commissioning. | Call Technical Support. |

| Faults | Causes | Remedy |
|------------------------------------|--|---|
| Unusual noise from the drive unit. | Drive unit bearing not lubricated (motor size 160 and higher). | Regrease bearing (Page 69). |
| | Excessive bearing play and / or bearing defective. | Check the bearing and replace if necessary. |
| | Fastening bolts loose. | Checking tightness of fastening bolts (Page 76). |
| Unusual motor noise. | Excessive bearing play and / or bearing defective. | Check the bearing and replace if necessary. |
| | Motor brake is rubbing. | Check air gap and adjust if necessary. |
| | Converter parameterization. | Correct the parameterization. |
| Oil escapes. | Incorrect oil level for the mounting position being used. | Check the mounting position (Page 87) and the oil level (Page 60). |
| | Gearbox leaks. | Checking the gearbox for leaks (Page 74). |
| | Overpressure due to lack of venting. | Mount the venting as appropriate for the mounting position (Page 87). |
| | Overpressure due to soiled venting. | Clean the venting (Page 75). |
| | Shaft sealing rings defective. | Replace the shaft sealing rings. |
| | Cover / flange bolts loose. | Checking tightness of fastening bolts (Page 76). Continue to monitor the gearbox. |
| | Surface sealing defective (e.g. on cover, flange). | Reseal. |
| | Damage in transit (e.g. hairline cracks). | Check the gearbox for damage in transit. |

| Faults | Causes | Remedy |
|---|---|--|
| Oil leak at the gearbox vent. | Incorrect oil level for the mounting position used and / or incorrect venting position. | Check the venting position, the mounting position (Page 87) and the oil level (Page 60). |
| | Frequent cold starts during which the oil foams up. | Call Technical Support. |
| Gearbox overheats. | Motor fan cover and / or gearbox very dirty. | Clean the fan cover and surface of the geared motor (Page 76). |
| | Incorrect oil level for the mounting position being used. | Check the mounting position (Page 87) and the oil level (Page 60). |
| | Incorrect oil being used (e.g. incorrect viscosity). | Checking the oil quality (Page 64). |
| | Oil is too old. | Check the date of last oil change. If required, change the oil (Page 59). |
| | Excessive bearing play and / or bearing defective. | Check the bearing and replace if necessary. |
| | Backstop not running freely. | Replace the backstop. |
| Output shaft does not turn when the motor is running. | Force flow interrupted by breakage in gearbox. | Call Technical Support. |

| Faults | Causes | Remedy |
|---|---|--|
| Geared motor only starts with difficulty or not at all. | Incorrect oil level for the mounting position being used. | Check the mounting position (Page 87) and the oil level (Page 60). |
| | Incorrect oil being used (e.g. incorrect viscosity). | Checking the oil quality (Page 64). |
| | Excessive external load on the drive input and output. | Check the load against rated data (you might need to correct the belt tension, for example). |
| | Motor brake is not released. | Check circuit / connection of brake. Check brake for wear and readjust if necessary. |
| Excessive play at drive input and output. | Geared motor runs against backstop. | Change the direction of motor or back-stop rotation. |
| | Flexible elements worn (e.g. on couplings). | Replace flexible elements. |
| Speed and torque drop. | Positive connection disrupted by overload. | Call Technical Support. |
| | Belt tension too low (for belt drive). | Check the belt tension and replace belt if necessary. |

Service and maintenance

8.1 General notes about maintenance work



ATEX version gearboxes

All measures, checks, and their results must be documented by the operator and records kept in a safe place for 10 years.

| | |
|--|----------------|
| | WARNING |
| Unintentional starting of the drive unit | |
| Secure the drive unit to prevent it from being started up unintentionally. | |
| Attach a warning notice to the start switch. | |

| |
|--|
| NOTICE |
| Improper maintenance |
| Only authorized qualified personnel may perform the maintenance and servicing. Only original parts supplied by Steinlen Elektromaschinenbau GmbH may be installed. |

Only qualified personnel may perform the inspection, maintenance and servicing work. Note the General information and safety instructions (Page 7).

Table 8- 1 Maintenance measures

| Measure | Interval | Description of work |
|--|---|--|
| Monitor and check the gearbox for unusual noise, vibrations and changes. | Daily; if possible, more frequently during operation. | Operation (Page 51) |
| Check the housing temperature. | After 3 hours, on the first day, thereafter monthly. | |
| Check the oil level. | After the first day, thereafter monthly. | Checking and changing lubricants (Page 59) |


8.1 General notes about maintenance work


| Measure | Interval | Description of work |
|--|---|--|
| Check the oil level sensor. | Regularly and after oil changes. | Checking the oil level sensor (optional) (Page 75) |
| Check the oil quality. | Every 6 months. | Checking the oil quality (Page 64) |
| First oil change after commissioning. | After approximately 10000 operating hours or at the latest after 2 years. | Checking and changing lubricants (Page 59) |
| Subsequent oil changes. | Every 2 years or 10000 operating hours ¹⁾ . | |
| Visual inspection of the gearbox and shaft sealing ring for leaks. | After the first day, thereafter monthly. | Checking the gearbox for leaks (Page 74) |
| Clean the gearbox ventilation and replace if necessary. | Depending on the degree of pollution, at least every 6 months. | Cleaning the vent filter (Page 75) |
| Clean the gearbox. | | Cleaning the gearbox (Page 76) |
| Check the friction clutch and adjust if necessary. | After 500 hours, thereafter once a year and after every blockage. | Maintenance of the friction clutch (Page 77) |
| Check the coupling. | For the first time after 3 months. | Please refer to the separate operating instructions. |
| Complete inspection of the geared motor. | Every 12 months. | Inspecting the gearbox (Page 77) |
| Check that fastening bolts on gearboxes and add-on elements are securely tightened. Check that covers and plugs are securely fastened. | After 3 hours, regularly thereafter. | Checking tightness of fastening bolts (Page 76) |
| Change the roller bearing grease. | When the oil is changed. | Change the roller bearing grease (Page 69) |
| Replace the bearing. | - | Replace bearings (Page 73) |
| Check the rubber buffers on the torque arms. | Every 6 months. | Torque arms with shaft-mounted gearboxes (Page 46) |

¹⁾ With synthetic oils, the intervals can be doubled. The data specified is valid for an oil temperature of +80° C. See the figure titled "Guide values for oil change intervals" for the intervals for other temperatures.

8.2 Checking and changing lubricants

8.2.1 General safety instructions

| |
|---|
|  WARNING |
| Danger of scalding from escaping hot oil Before starting any work wait until the oil has cooled down to below +30° C. |

| |
|--|
|  WARNING |
| Risk of slipping on oil Remove any oil spillage immediately with an oil-binding agent in compliance with environmental requirements. |

| |
|---|
| NOTICE |
| Damage to the gearbox caused by incorrect oil quantities The oil quantity and the position of the sealing elements are determined by the mounting position. After removing the oil level screw, up to and including gearbox size 128, the oil level may not be more than 3 mm and from gearbox size 148, not more than 5 mm below the recommended filling level. |

| |
|---|
| NOTICE |
| Damage to the gearbox due to open oil holes Dirt and damaging atmosphere can penetrate through open oil holes. Close the gearbox immediately after checking the oil level or changing the oil. |

Note

Oil specifications

Refer to the rating plate for the type of oil, oil viscosity and quantity of oil required.
For oil compatibility see Recommended lubricants (Page 72).

Note

Gearbox sizes 18 and 28

Gearbox sizes 18 and 28 are lubricated for life. An oil change is not required.

Note

Where tandem gearboxes are concerned, each individual gearbox is to be considered separately.

Gearbox sizes 28 and 38 on the 2nd gearbox are lubricated for life. An oil change is not required.

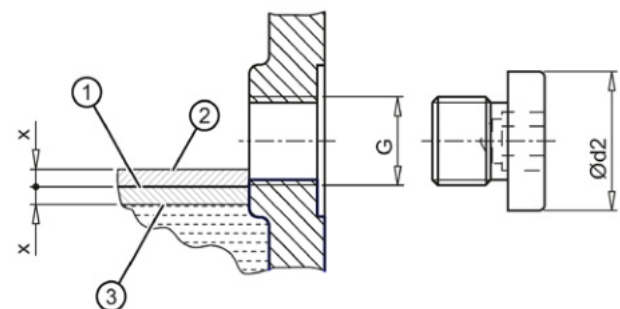
8.2.2 Checking the oil level

NOTICE

The volume of gearbox oil changes with temperature

If the temperature rises, the volume increases. Where temperature differences and filling quantities are significant, the volume difference can amount to several liters.

The oil level must therefore be checked while still slightly warm, approximately 30 minutes after switching off the drive unit.



- ① Specified oil level
- ② Maximum oil level
- ③ Minimum oil level

Figure 8-1 Oil level in the gearbox housing

Table 8-2 Minimum and maximum fill levels x

| Oil level hole | Ød2 | Fill level x | Tightening torque |
|----------------|------|--------------|-------------------|
| | [mm] | [mm] | [Nm] |
| G 1/8" | 14 | 2.5 | 10 |
| G 1/4" | 18 | 3 | 10 |
| G 3/8" | 22 | 4 | 25 |
| G 3/4" | 32 | 7 | 50 |

Procedure

1. Switch off the power supply to the drive unit.
2. Unscrew the oil level screw, see Mounting positions (Page 87). Oil escapes if the maximum fill level is above the plug hole.
3. Check the oil level. Observe the fill level x.
4. Top up the oil level if necessary and check it again.
5. Check the state of the sealing ring on the sealing element. If the sealing ring is damaged, replace the sealing element with a new one.
6. After checking, seal the gearbox immediately using the sealing element.

You have now checked the oil level in the gearbox housing.

Checking the oil level on size 38 gearbox housings with no screw plug for checking the oil level

Size 38 gearboxes have no screw for checking the oil level.

In some versions of the B38 and BF38 bevel helical gearboxes, there is an additional screw plug so that the oil level can be checked as described above.

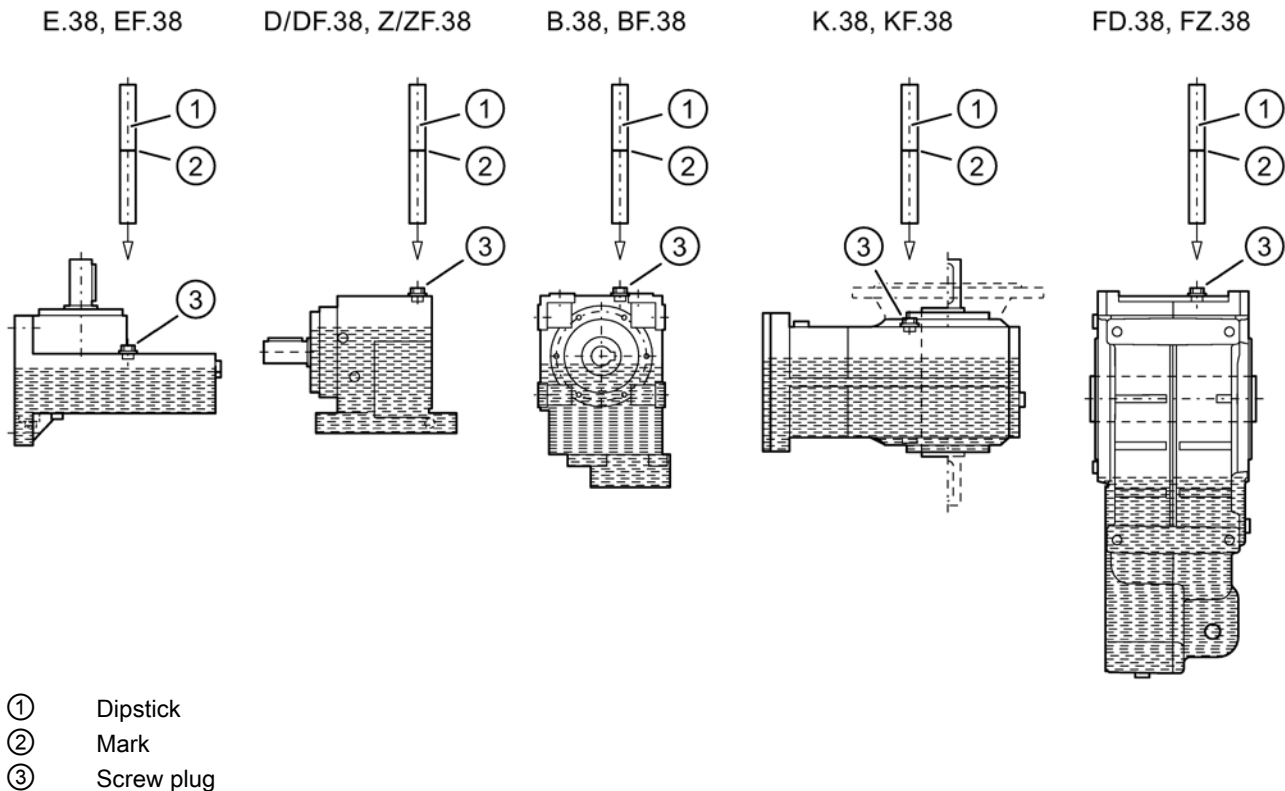
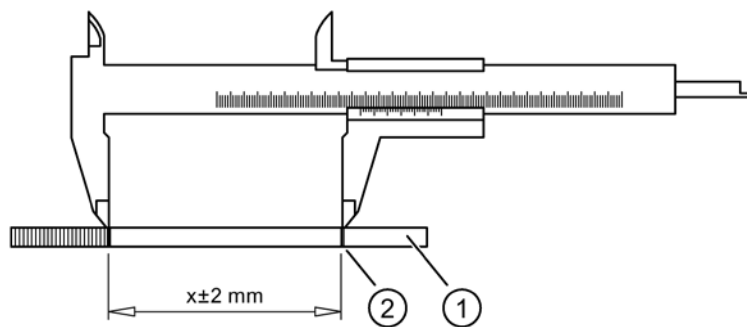


Figure 8-2 Checking the oil level on size 38 gearbox

Procedure

1. Switch off the power supply to the drive unit.
2. Remove the geared motor and set it down as illustrated in the figure. The screw plug ③ must be on the top.
3. Remove the screw plug ③.
4. Make a mark ② on a suitable dipstick ①.
5. Insert the dipstick ① vertically into the opening until the mark ② is level with the surface of the gearbox.
6. Pull the dipstick ① out vertically.
7. Measure the distance "x" on the dipstick ①.
8. Compare the value "x" with the value for distance "x".
9. Rectify the oil level if necessary and check it again.
10. Check the condition of the sealing ring on the screw plug ③ and replace the sealing ring if necessary.
11. Seal the gearbox using the screw plug ③.
12. Mount the geared motor.

You have now checked the oil level in the size 38 gearbox housing.



- ① Dipstick
- ② Mark

Figure 8-3 Distance "x"

Table 8-3 Values for max. distance "x"

| Gearbox type | Distance "x" | | | | | |
|--------------|--------------|-----------|-----------|----|----|----|
| | [mm] | | | | | |
| | B5 B14 | V1 V18 | V3 V19 | | | |
| E.38 | 44 | 24 | 18 | | | |
| Z.38 | 87 | 56 | 33 | | | |
| D.38 | 81 | 31 | 26 | | | |
| | B3 | B6 | B7 | B8 | V5 | V6 |

| Gearbox type | Distance "x" | | | | | |
|-------------------|---------------|---------------|---------------|---------------|---------------|---------------|
| | [mm] | | | | | |
| E38 | 43 | 37 | 37 | 31 | 23 | 19 |
| Z38 | 93 | 83 | 83 | 83 | 75 | 32 |
| D38 | 89 | 82 | 82 | 82 | 52 | 35 |
| | B3-00 H-01 | B8-00 H-02 | B7-00 H-03 | B6-00 H-04 | V5-00 H-05 | V6-00 H6 |
| B, BA, BAS, BAT38 | 126 | 74 | 30 | 89 | 95 | 112 |
| K, KA, KAS, KAT38 | 64 | 35 | 21 | 52 | 40 | 46 |
| | B5-01 H-01 | B5-03 H-02 | B5-02 H-03 | B5-00 H-04 | V1-00 H-05 | V3-00 H-06 |
| B.38 | 126 | 74 | 30 | 89 | 95 | 112 |
| K.38 | 66 | 40 | 20 | 54 | 45 | 50 |
| FZ.38B | 137 | 152 | 137 | 137 | 87 | 73 |
| FD.38B | 110 | 147 | 132 | 132 | 110 | 65 |

8.2.3 Checking the oil level using the oil sight glass (optional)

If there is an oil sight glass to check the oil level ①, the oil must be visible in the center of the sight glass when the oil is cool. When the oil is hot, the oil level ① is above the center of the sight glass. The oil level ① of cold oil is below the center of the sight glass.

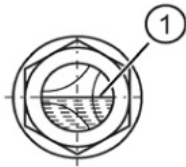


Figure 8-4 Oil level in the oil sight glass

Top up the oil level ① if necessary, and check it again.

8.2.4 Checking the oil level using the oil dipstick (optional)

To check the oil level, push the dipstick into the hole but do not screw it in.

The oil level must be between the lower and upper marks on the oil dipstick.

If you are using the electric oil level monitoring system, the oil must be level with the upper mark on the oil dipstick.

Rectify the oil level if necessary and check it again.

8.2.5 Checking the oil quality

Signs of changes in the oil can be seen with the naked eye. Fresh oil is clear to the eye and has a typical smell and a specific product color. Clouding or a flocculent appearance indicates water and / or contamination. A dark or black color indicates residue, serious thermal decomposition or contamination.

Observe the symbols in the type of construction diagrams, see Mounting positions (Page 87):



Ventilation



Oil filling



Oil level

Procedure

1. Allow the geared motor to run for a short time. Wear and contaminant particles are visible in the oil shortly after shutting down.
2. Switch off the power supply to the drive unit.
3. Remove the sealing element at one of the points marked with the symbols listed above.
4. Remove some oil, using a suction pump and a flexible hose, for example.
5. Check the condition of the sealing ring on the sealing element and replace the sealing ring if necessary.
6. Seal the gearbox with the sealing element.
7. Check the oil for abnormalities. If you detect any abnormalities, change the oil immediately.
8. Check the oil level.
9. Rectify the oil level if necessary and check it again.

You have now checked the oil quality.

8.2.6 Changing the oil

8.2.6.1 General safety notes for changing the oil

NOTICE**Impermissible mixing of oils leads to damage**

Impermissible mixing of oils leads to:

- Darkening
- Sediment
- Foam formation
- Change of the viscosity or reduced corrosion protection
- Wear protection.

When changing oil of the same type, the residual volume of oil in the gearbox should be kept as low as possible. Generally speaking, a small residual volume will cause no particular problems.

Gear oils of different types and by different manufacturers must not be mixed. Have the manufacturer confirm that the new oil is compatible with the remaining volume of used oil.

If very different types of oil or oils with very different additives are changed, always flush out the gearbox with the new oil. When changing from mineral oil to polyglycol oil (PG) or vice versa, it is vital to flush the gearbox twice. All traces of old oil must be completely removed from the gearbox.

NOTICE**Contaminations of the oil impair the lubricity**

Do not mix the gearbox oil with other substances.

Do not flush with paraffin or other solvents, as traces of these substances will always remain inside the gearbox.

Note

The oil must be warm because insufficient viscosity caused by oil that is too cold impairs correct emptying.

If necessary, run the gearbox for 15 to 30 minutes to become warm.

8.2.6.2 Draining the oil

Observe the symbols in the type of construction diagrams, see Mounting positions (Page 87):



Ventilation



Oil filling



Oil level



Oil drain

Procedure

1. Switch off the power supply to the drive unit.
 2. Unscrew the vent plug.
 3. Unscrew the oil level screw.
 4. Place a suitable and sufficiently large receptacle underneath the oil drain plug.
 5. Remove the oil drain plug and drain all the oil into the receptacle.
 6. Check the condition of the sealing ring on the sealing element and replace the sealing ring if necessary.
 7. Seal the gearbox using the sealing elements.
- You have now drained the oil from the gearbox.

Draining oil for B38

with no additional screw plug type V5-00/V1-00/H-05 and V6-00/V3-00/H-06

Procedure

1. Switch off the power supply to the drive unit.
2. Place a suitable and sufficiently large receptacle underneath the gearbox.
3. Unscrew the oil filler screw.
4. Using a length of hose, siphon off all the oil into the receptacle.
5. Check the condition of the sealing ring on the sealing element and replace the sealing ring if necessary.
6. Seal the gearbox with the sealing element.

Or:

1. Switch off the power supply to the drive unit.
2. Unscrew the cover
3. Drain all the oil into the receptacle.
4. Change the seal in the cover.
5. Seal the gearbox with the cover.

You have now drained the oil from the B38 gearbox.

8.2.6.3 Flushing the gearbox when changing between incompatible oils



WARNING

Impermissible mixing of oils results in damage

Residual quantities of original oil can impair the specific properties of the new oil.

A flushing process is required with biodegradable and physiologically safe oils.

The residual corrosion protection oil must amount to no more than 1% of the operating oil volume.

Note

Polyglycol oil has a higher density than mineral oil. Therefore, polyglycol oil sinks down towards the oil drain and the mineral oil floats on top.

This makes the required complete draining of mineral oil from the gearbox extremely difficult.

Note

We recommend that, after the second flush, the quality of the rinse is checked by an expert analyzer.

Observe the symbols in the diagrams of the mounting positions (Page 87).



Ventilation



Oil filling



Oil drain

Procedure

1. After the oil has been drained, wipe the gearbox clean of any remaining mineral oil using a cloth.
2. Unscrew the venting screw.
3. Fill the gearbox with a detergent oil, using a filter (filter mesh max. 25 µm). For the detergent oil, use either the new oil or one that is compatible with the new oil.
4. Allow the gearbox to run for 15 to 30 minutes under a low load.
5. Place a suitable and sufficiently large receptacle underneath the oil drain plug.
6. Unscrew the oil drain plug. Drain all the oil into the receptacle.

7. After flushing, immediately seal the gearbox using the sealing elements.
8. Repeat this step for the second rinse.

You have now flushed the gearbox twice and can pour in the new oil.

8.2.6.4 Filling in oil

| |
|---|
| NOTICE |
| Mixing different oils impairs the lubricating capability |
| When adding oil, use the same oil type and viscosity. When changing mutually incompatible oils, see Flushing the gearbox (Page 67). |

Observe the symbols in the diagrams of the mounting positions (Page 87).



Ventilation



Oil filling

Procedure

1. Remove the vent plug or oil filler screw.
2. Fill the gearbox with fresh oil. Use a filler filter with mesh of max. 25 µm.
3. Check the oil level.
4. Rectify the oil level if necessary and check it again.
5. Check the state of the sealing ring on the sealing element. If the sealing ring is damaged, replace the sealing element with a new one.
6. After filling with oil, seal the gearbox immediately using the sealing element.

You have now filled up the gearbox with oil.

8.2.7 Topping up with oil

If the mounting position of the gearbox is changed or oil lost because of leakage, check the oil level. If you notice oil escaping, locate the leak and seal the affected area. Check and correct the oil level.

At the time of going to print, the following types of oil are being used for initial filling of the gearbox:

CLP ISO VG220: Fuchs Renolin CLP220

CLP ISO PG VG220: Fuchs Renolin PG220

CLP ISO PG VG460: Fuchs Renolin PG460

CLP ISO PAO VG68: Fuchs Renolin Unisyn CLP68

CLP ISO PAO VG220: Fuchs Renolin Unisyn XT220

CLP ISO E VG220: Fuchs Plantogear S220

CLP ISO H1 VG460: Castrol Optileb GT 1800/460

If, following agreement, the gearbox is filled at the factory with special lubricant for the special applications referred to above, the lubricant must be shown on the rating plate.

8.2.8 Change the roller bearing grease

The roller bearings are lubricated in the factory with the greases listed in the table.

Renew the grease quantify for grease-lubricated bearings with each oil change.

Clean the bearing before filling it with fresh lubricant.

In the case of bearings on the output shaft or intermediate shafts, the grease quantity must fill 2/3, and in the case of bearings on the input side, 1/3 of the space between the rolling elements.

Table 8- 4 Roller-bearing and shaft-sealing-ring grease

| Fields of application | Ambient temperature | Manufacturer | Type |
|---|---------------------|--------------|------------------------|
| Standard | -40 °C to +80 °C | Klüber | Petamo GHY 133 N |
| Foodstuff-compatible for the food industry | -30 °C to +40 °C | Castrol | Optileb GR UF 1 NSF H1 |
| Biologically degradable, for agriculture, forestry and water industries | -35 °C to +40 °C | BP | Biogrease EP 2 |

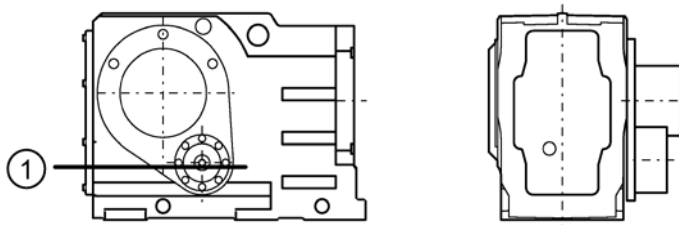
8.2.9 Changing the oil when using backstops in bevel helical gearboxes

The oil must be changed at the same intervals as the gearbox.

Table 8- 5 Oil quantity for backstop

| Size | K.88 | K.108 | K.128 | K.148 | K.168 |
|------------------|------|-------|-------|-------|-------|
| Oil quantity [l] | 0.04 | 0.06 | 0.09 | 0.104 | 0.44 |

This oil quantity is valid for all gearbox types of construction.



① Oil level

Figure 8-5 Oil level when using backstops in bevel helical gearboxes

For the standard temperature range from 0 °C to +60 °C, the backstops are filled with Klüber-Summit HYSYN FG68.

In the case of ambient temperatures of less than -20 °C and greater than +60 °C, please contact Technical Support.

The backstop can also be filled with the oil used in the gearbox.

8.2.10 Service life of the lubricants

Note

In case of ambient conditions deviating from normal conditions, e.g. high ambient temperatures, high relative humidity, aggressive ambient media, the intervals between changes should be shorter. In such cases please contact Technical Support for assistance in determining the individual lubricant change intervals.

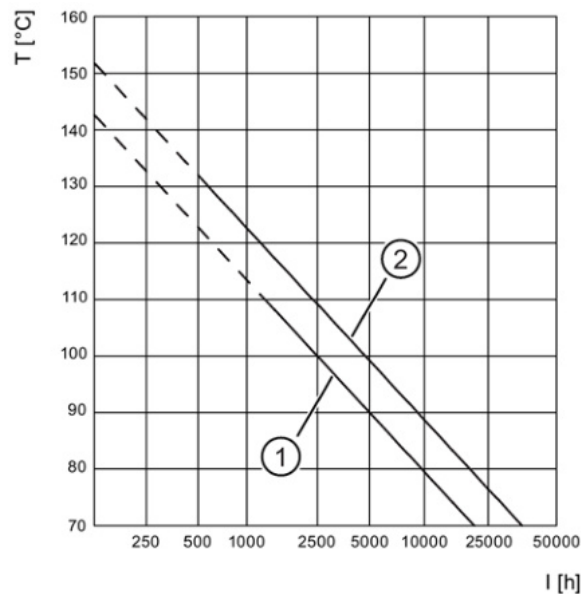
Note

Oil sump temperatures above +80 °C can reduce service life. In this context, the rule is that increasing the temperature by 10 K will approximately halve the service life, as illustrated in the figure titled "Guide values for oil change intervals".

For a +80 °C oil sump temperature, the following service life can be expected when observing the properties specified by Steinlen Elektromaschinenbau GmbH:

Table 8- 6 Service life of the oils

| Type of oil | Service life |
|---|-----------------------------------|
| Mineral oil | 10 000 operating hours or 2 years |
| Biodegradable oil | |
| Physiologically safe oil according to USDA-H1/-H2 | |
| Synthetic oil | 20 000 operating hours or 4 years |



- ① Mineral oil
- ② Synthetic oil
- T Oil-bath long-term temperature [°C]
- I Oil change interval in operating hours [h]

Figure 8-6 Guide values for oil change intervals

Grease service life of roller bearing greases

Roller bearings and the clearance in front are filled with sufficient grease.

Under approved operating conditions and ambient temperatures, no regreasing is required.

We recommend that the grease filling of the bearings is also changed when the oil or shaft sealing rings are replaced.

8.2.11 Recommended lubricants

The released and recommended lubricants are listed in the table NT 7300 (<https://www.Steinlen.eu>).

| |
|--|
|  DANGER |
| Used lubricants only have conditional approval |
| The used lubricants are not or only conditionally approved for use in the foodstuff or pharmaceutical industry. |
| Use only lubricants with USDA (United States Department of Agriculture) H1 / H2 approval for deployment in the foodstuff or pharmaceutical industry. |

| |
|---|
| NOTICE |
| Incorrect operating temperatures impair lubricity of the gearbox oil |
| Operating temperatures outside the permitted range impair the lubricating property of the gearbox oil. |
| Maximum permissible temperature for: |
| <ul style="list-style-type: none">• Mineral oil +90 °C, for brief periods +100 °C• Polyglycols and polyalphaolefins +100 °C, for brief periods +110 °C• Synthetic esters +90 °C |
| The minimum permissible temperature for initial filling corresponds to the lowest ambient temperature specified on the rating plate. |
| The oil used must be approved for use in the ambient temperature range given on the rating plate. |
| When changing the oil, please observe the operating temperature range of the new oil as specified by the oil manufacturer. |

Note

As standard, the lubricants and shaft seals are harmonized and coordinated with one another corresponding to the prevailing operating conditions.

Contact Technical Support for:

- Change of the operating conditions
- Change in oil grade
- Deployment of new shaft seals.

Note

The lubricants used are not at all or only conditionally biodegradable. If biologically degradable lubricants are required, use only gearbox lubricants with the appropriate classification listed in the NT 7300 table.

Note

These recommendations are not a guarantee of the lubricant quality provided by your supplier. All lubricant manufacturers are responsible for the quality of their own products.

The oil viscosity is decisive for the oil selection (ISO VG class). The viscosity is specified on the rating plate of the gearbox. The viscosity class indicated applies for the contractually agreed operating conditions.

In the case of different operating conditions, please contact Technical Support.

If, following agreement, the gearbox is filled at the factory with special lubricant for the special applications referred to above, the lubricant is shown on the rating plate.

The oil quality must meet the gearbox lubricant requirements specified in the NT 7300 table. The Steinlen warranty is otherwise null and void. We recommend the use of one of these gearbox lubricants. These gearbox oils are subject to constant testing and meet the specified requirements. It is possible that the recommended oils are removed or replaced by oils that have been further developed at a later point in time. We recommend that you regularly check as to whether the selected lubricating oil is still recommended by Steinlen. Otherwise change the product.

8.3 Replace bearings

The bearing service life depends greatly on the operating conditions and so cannot be calculated reliably. In the operating conditions specified by the operator, bearing life can be calculated and indicated on the rating plate. If no information is given, changes in vibration and noise pattern can serve as an indicator that an immediate bearing replacement is necessary.

8.4 Checking the gearbox for leaks



ATEX version gearboxes

Shaft sealing rings are subject to natural wear. The service life depends on the operating conditions.

Include the shaft sealing rings in periodic maintenance and servicing work on the system.

Note

From the inherent principle of operation, oil mist can escape from the vent valve or a labyrinth seal.

Oil or grease escaping in small quantities from the shaft sealing ring should be regarded as normal during the running-in phase of 24 hours operating time.

If the quantities escaping are significant or leaking continues after the running-in phase, the shaft sealing ring must be replaced to prevent consequential damage.

Table 8-7 Description and measures

| Status | Description | Measures | Notes |
|--|--|---|--|
| Film of moisture on the shaft sealing ring | Film of moisture as a result of the inherent principle of operation (apparent leakage) | Remove using a clean cloth and continue to observe. | This does not represent a fault; frequently, in the course of operation, the sealing ring dries off. |
| Leakage at the shaft sealing ring | Identifiable small trickle, formation of drops, also after the running-in phase | Replace the sealing ring, determine the possible cause of the sealing ring failure and rectify. | During the run-in period, the shaft sealing ring beds into the shaft. A visible track can be seen on the shaft. Optimum preconditions for a perfect seal are obtained after the run-in period. |

8.5 Cleaning the vent filter

Clean the vent filter at least every 6 months, or more regularly depending on the degree of soiling.

Procedure

1. Unscrew the vent filter.
2. Flush out the vent filter with benzine or a similar cleaning agent.
3. Blow the vent filter out with compressed air.
4. Seal the gearbox with the vent filter.

You have now cleaned the vent filter.

8.6 Replacing the vent valve

To ensure correct functioning, renew the breather valve yearly.

When replacing, prevent dirt and damaging atmospheres from entering the gearbox.

If too much oil is contained in the gearbox, oil will escape from the breather valve. Correct the oil quantity and replace the breather valve.

8.7 Checking the oil level sensor (optional)

The oil level sensor indicates the oil level only when the gearbox is shut down.

Lower the oil level and fill it up again until the oil level sensor gives a switching signal.

Please refer to the separate operating instructions for the oil level sensor.

8.8 Cleaning the gearbox

| |
|---------------|
| NOTICE |
|---------------|

| |
|--|
| Dust deposits cause higher housing temperatures |
|--|

| |
|---------------------------------------|
| Dust deposits prevent heat radiation. |
|---------------------------------------|

| |
|--|
| Keep the geared motor free from dirt and dust. |
|--|

| |
|---------------|
| NOTICE |
|---------------|

| |
|---|
| Cleaning with a high-pressure cleaning appliance |
|---|

| |
|--|
| Water can penetrate into the geared motor. Seals can become damaged. |
|--|

| |
|--|
| Do not use a high-pressure cleaning appliance to clean the geared motor. |
|--|

| |
|------------------------------------|
| Do not use tools with sharp edges. |
|------------------------------------|

Switch off the power supply to the drive unit before cleaning it.

8.9 Checking tightness of fastening bolts



ATEX version gearboxes

Loose parts can cause sparks through impact.

Entry of foreign bodies can cause sparks.

Note

Replace damaged headless bolts with new bolts of the same type and strength class.

Switch off the power supply to the drive unit. Check all fastening bolts for tightness using a torque wrench.

The general tolerance for the tightening torque is 10 %. The tightening torque is based on a friction coefficient of $\mu = 0.14$.

Table 8- 8 Tightening torques for fastening bolts

| Thread size | Tightening torque for strength class | | |
|-------------|--------------------------------------|-------|-------|
| | 8.8 | 10.9 | 12.9 |
| | [Nm] | [Nm] | [Nm] |
| M4 | 3 | 4 | 5 |
| M5 | 6 | 9 | 10 |
| M6 | 10 | 15 | 18 |
| M8 | 25 | 35 | 41 |
| M10 | 50 | 70 | 85 |
| M12 | 90 | 120 | 145 |
| M16 | 210 | 295 | 355 |
| M20 | 450 | 580 | 690 |
| M24 | 750 | 1 000 | 1 200 |
| M30 | 1 500 | 2 000 | 2 400 |
| M36 | 2 500 | 3 600 | 4 200 |

8.10 Inspecting the gearbox

Carry out a scheduled inspection of the gearbox once a year in accordance with the possible criteria listed in General notes about maintenance work (Page 57).

Check the gearbox in accordance with the criteria set out in General information and safety notes (Page 7).

Touch up damaged paintwork carefully.

8.11 Maintenance of the friction clutch

Note

Check the condition of the friction clutch initially after 500 operating hours and then at least once yearly and after every blockage of the machine.

If necessary, readjust the friction torque or replace the wearing parts, e.g., friction lining and bushes. Friction linings must always be replaced in pairs. We recommend replacing worn bushes in sets.


Please refer to the relevant operating instructions for the clutch.

Disposal



Recycling and disposal of MOTOX geared motors

For environmentally friendly recycling and disposal of your old device, please contact a company certified for the disposal of old electrical and/or electronic devices and dispose of the device in accordance with the regulations in your country.

| |
|--|
|  WARNING |
| Incorrect used oil disposal |
| Incorrect disposal of used oil is a threat to the environment and health. |
| After use, oil must be taken to a used oil collection point. The addition of foreign substances such as solvents, brake and cooling fluid is prohibited. |
| Avoid prolonged contact with the skin. |

Empty the used oil from the gearbox. The used oil must be collected, stored, transported and disposed of in accordance with regulations. Do not mix polyglycols with mineral oil. Dispose of polyglycols separately.

Please observe country-specific laws. Under German law, to allow optimal treatment of the oil (§4 VI Used Oil), oils with different disposal codes must not be mixed with one another.

Collect and dispose of used oil in accordance with regulations.

Remove oil spillages immediately with an oil-binding agent in compliance with environmental requirements.

Dispose of the housing parts, motor parts, gear wheels, shafts and roller bearings of the geared motor as scrap metal.

The worm wheels are made partly from non-ferrous metal. Dispose of them accordingly.

Dispose of packaging material in accordance with regulations.

Table 9- 1 Disposal codes for gear oils

| Type of oil | Designation | Disposal code |
|------------------------------|--|---------------|
| Mineral oil | CLP ISO VG220 | 13 02 05 |
| Polyglycols | CLP ISO PG VG220, CLP ISO PG VG460, CLP ISO H1 VG460 | 13 02 08 |
| Polyalphaolefins | CLP ISO PAO VG68, CLP ISO PAO VG220 | 13 02 06 |
| Biologically degradable oils | CLP ISO E VG220 | 13 02 07 |

Technical data

10.1 Type designation

Table 10- 1 Example of the type designation structure

| | Main gearbox | | | | | Intermediate helical gearbox | | Input unit | |
|--------------------|--------------|---|---|-----|---|------------------------------|------|------------|-------|
| | F | D | F | 108 | B | - Z | 38 - | K4 | (100) |
| Example: | F | | | 108 | B | - Z | 38 - | K4 | (100) |
| Gearbox type | F | | | | | | | | |
| Transmission stage | | D | | | | | | | |
| Type | | | F | | | | | | |
| Size | | | | 108 | | | | | |
| Revision marks | | | | | B | | | | |
| Transmission stage | | | | | | Z | | | |
| Size | | | | | | | 38 | | |
| Input unit | | | | | | | | K4 | |
| (for motor size) | | | | | | | | | (100) |

Table 10- 2 Type designation code

| Gearbox type | |
|--------------------|------------------------------------|
| (-) | Helical gearbox |
| B | Bevel helical gearbox, two-stage |
| K | Bevel helical gearbox, three-stage |
| F | Parallel shaft gearbox |
| C | Helical worm gearbox |
| Transmission stage | |
| (-) | |
| E | Single-stage |
| Z | Two-stage |
| D | Three-stage |

10.1 Type designation

| | |
|------------------------------|--|
| Type | |
| Shaft | |
| (-) | Solid shaft |
| A | Hollow shaft |
| Mounting | |
| (-) | Foot-mounted version |
| F | Flange version (A type) |
| Z | Housing flange (C type) |
| D | Torque arm |
| G | Flange (A type) opposite output shaft |
| R | Agitator flange |
| K | Cooling tower version |
| M | Mixer flange |
| E | Extruder flange |
| U | Underwater version (slide ring seal) |
| Connection | |
| (-) | Parallel key |
| S | Shrink disk |
| T | Hollow shaft with splines |
| Backstop | |
| X | Backstop in intermediate stage |
| Intermediate helical gearbox | |
| Transmission stage | |
| Z | Two-stage |
| D | Three-stage |
| Input unit | |
| A / A5 | Input unit with free input shaft |
| K2 | Coupling lantern with coupling for connecting an IEC motor |
| K2TC | Coupling lantern with coupling for connecting a NEMA motor |
| K4 | Short lantern with clamp connection for connecting an IEC motor |
| K5TC | Short coupling with clamp connection for connecting a NEMA motor |
| KQ(S) | Lantern for servo motor with zero-backlash coupling for connecting a servo motor |
| P | Input unit with free input shaft and piggy back for connecting an IEC motor |
| P5 | Input unit with free input shaft and piggy back for connecting a NEMA motor |

10.2 General technical data

The most important technical data appears on the rating plate of the gearboxes and geared motors.

This data, together with the contractual agreements for the geared motors, determines the limits of intended use.

In the case of geared motors, a rating plate attached to the motor usually indicates the data for the entire drive.

In certain cases separate rating plates are mounted on the gearbox and the motor.

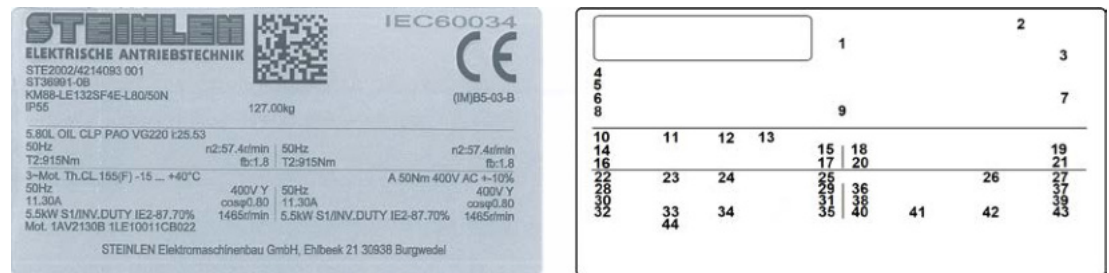


Figure 10-1 Rating plate example

- 1 Data matrix code
 - 2 Applicable standard
 - 3 CE marking or other marking, if required
 - 4 Factory serial number
 - 5 Article number
 - 6 Type designation
 - 7 Mounting position
 - 8 Degree of protection acc. to IEC 60034-5
 - 9 Weight m [kg]
 - 10 Oil quantity [l] main gearbox / intermediate gearbox + extruder flange
 - 11 Type of oil
 - 12 Oil viscosity ISO VG class to DIN 51519 / ISO 3448
 - 13 Total transmission ratio i
- Frequency 1
- 14 Rated frequency f [Hz]
 - 15 Gearbox output speed n₂ [rpm]

- 16 Geared motor output torque T_2 [Nm]
- 17 Service factor f_B
- Frequency 2
- 18 Rated frequency f [Hz]
- 19 Gearbox output speed n_2 [rpm]
- 20 Geared motor output torque T_2 [Nm]
- 21 Service factor f_B
- Motor and brake data
- 22 Phase number and type of current for the motor
- 23 Temperature class Th.Cl.
- 24 Ambient temperature
- 25 Motor protection
- 26 Rated braking torque T_{Br} [Nm]
- 27 Brake supply voltage U [V]
- Frequency 1
- 28 Rated frequency f [Hz]
- 29 Rated voltage / range U [V]
Circuit, graphic symbols according to DIN EN 60617 Part 6 / IEC 60617-6
- 30 Rated current I_N [A]
- 31 Power factor $\cos \varphi$
- 32 Rated output P_N [kW]
- 33 Duty type
- 34 Efficiency class marking according to IEC 60034-30
- 35 Rated speed n_N [rpm]
- Frequency 2
- 36 Rated frequency f [Hz]
- 37 Rated voltage / range U [V]
Circuit, graphic symbols according to DIN EN 60617 Part 6 / IEC 60617-6
- 38 Rated current I_N [A]
- 39 Power factor $\cos \varphi$
- 40 Rated output P_N [kW]
- 41 Duty type
- 42 Efficiency class marking according to IEC 60034-30
- 43 Rated speed n_N [rpm]
- 44 Motor designation

Rating plate for ATEX version gearboxes

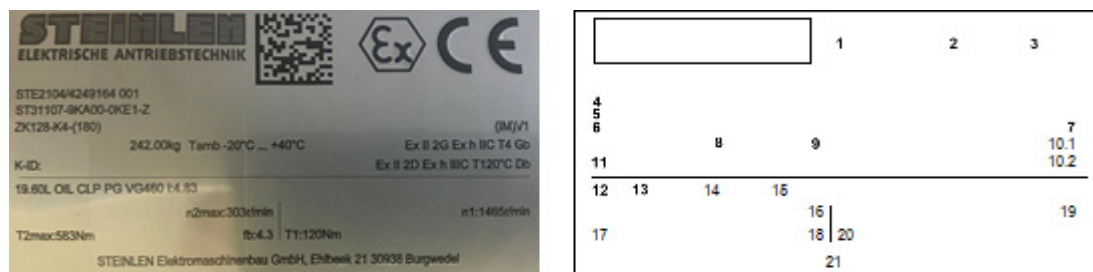



Figure 10-2 ATEX rating plate fitted

- 1 Data matrix code
- 2  marking
- 3 CE marking
- 4 Factory serial number
- 5 Article number
- 6 Type designation
- 7 Mounting position
- 8 Weight m [kg]
- 9 Ambient temperature
- 10.1 Type of protection gas
- 10.2 Type of protection dust
- 11 Customer ID
- 12 Oil quantity [l] main gearbox / intermediate gearbox
- 13 Type of oil
- 14 Oil viscosity ISO VG class according to DIN 51519 / ISO 3448
- 15 Total transmission ratio i
- 16 Gearbox output speed n_{2max} [rpm]
- 17 Geared motor output torque T_{2max} [Nm]
- 18 Service factor f_B
- 19 Gearbox input speed n_1 [rpm]
- 20 Geared motor input torque T_1 [Nm]
- 21 Country of origin

10.3 Weight

The weight of the entire geared motor is given in the shipping papers.

The weight is stated on the rating plate of the motor, gearbox or geared motor.

The weight specification refers only to the product in the delivery state.

10.4 Sound energy level

The A rated sound-pressure level L_{WA} of a selection of gearboxes in the following figure has been measured to DIN EN ISO 1680 with meters to DIN IEC 60651.

The noise depends mainly on speed, output, and transmission ratio.

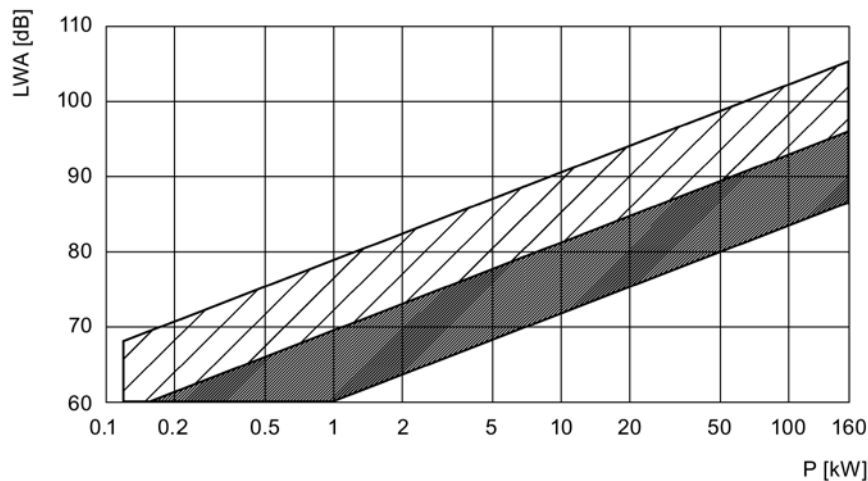


Figure 10-3 Sound energy level MOTOX geared motors

The sound-pressure levels of MOTOX geared motors fall mainly in the dark-colored part of the range. Gearboxes with very small transmission ratios, high output, and high input speed may fall into the cross-hatched part.

If repeat measurements on site do not produce conclusive results, which can be verified by measuring technology, the measurement obtained on Steinlen Elektromaschinenbau GmbH test benches will apply.

External noises

Noises not generated by the gearbox but emitted from it are not taken into consideration here.

Similarly, noises emitted from the input and output machines and from the foundation are not taken into consideration here, even if transmitted to these by the gearbox.

10.5 Mounting positions

The type of construction designations are compliant with IEC 60034-7 (Code I).

The gearbox must be operated only in the type of construction specified on the rating plate. This ensures that the correct quantity of lubricant is provided.

Note

Gearbox sizes 18 and 28 are lubricated for life.

Screw plugs are not provided.

Explanation of symbols in type of construction diagrams:



Ventilation



Oil filling



Oil level



Oil dipstick



Oil drain

A, B Position of insert shaft / solid shaft

V Gearboxes of size 38 are fitted as standard with a screw plug at point "V"; ventilation is not required.

* On opposite side

② Two-stage gearbox

③ Three-stage gearbox

④ Tandem gearbox

⑤ Optional oil hole facing output side

- - - Alternatively

10.5.1 Single-stage helical gearboxes

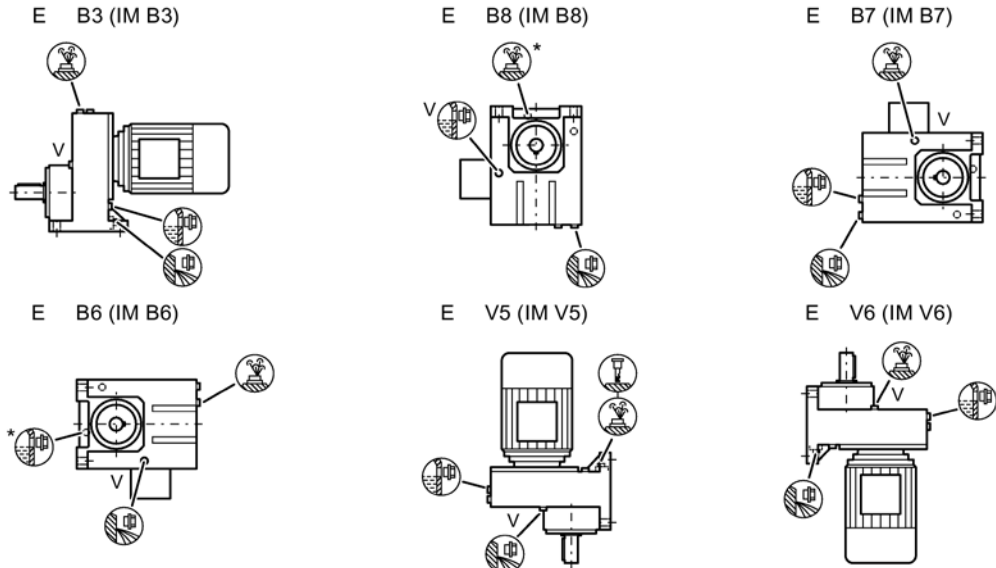


Figure 10-4 Type of construction options for E sizes 38 - 148

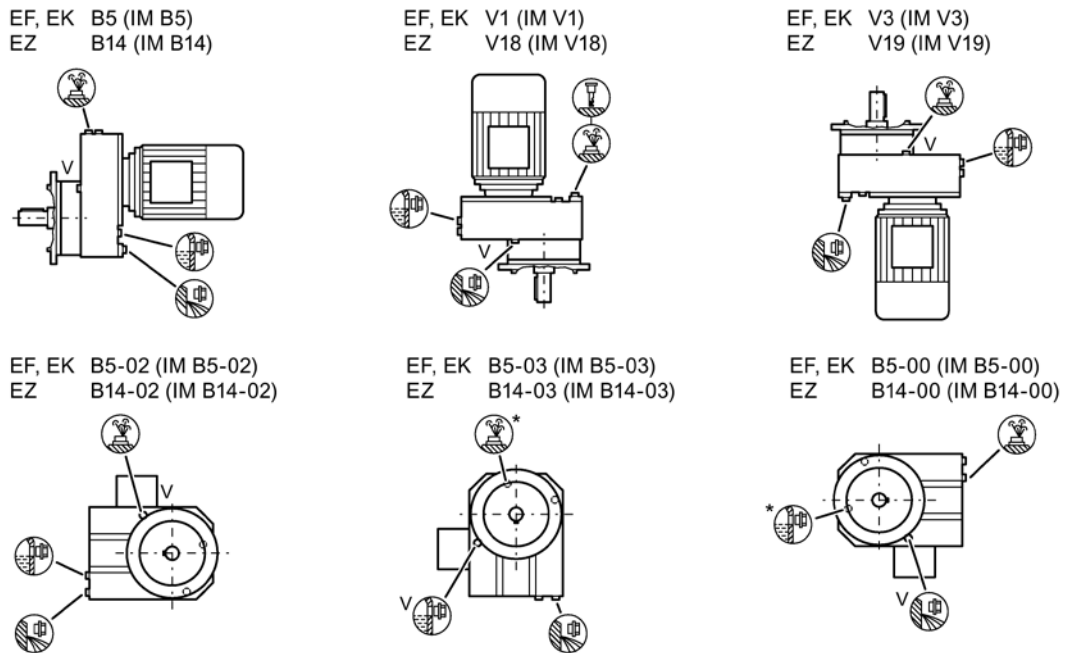


Figure 10-5 Type of construction options for E. sizes 38 - 148

10.5.2 Two- and three-stage helical gearboxes

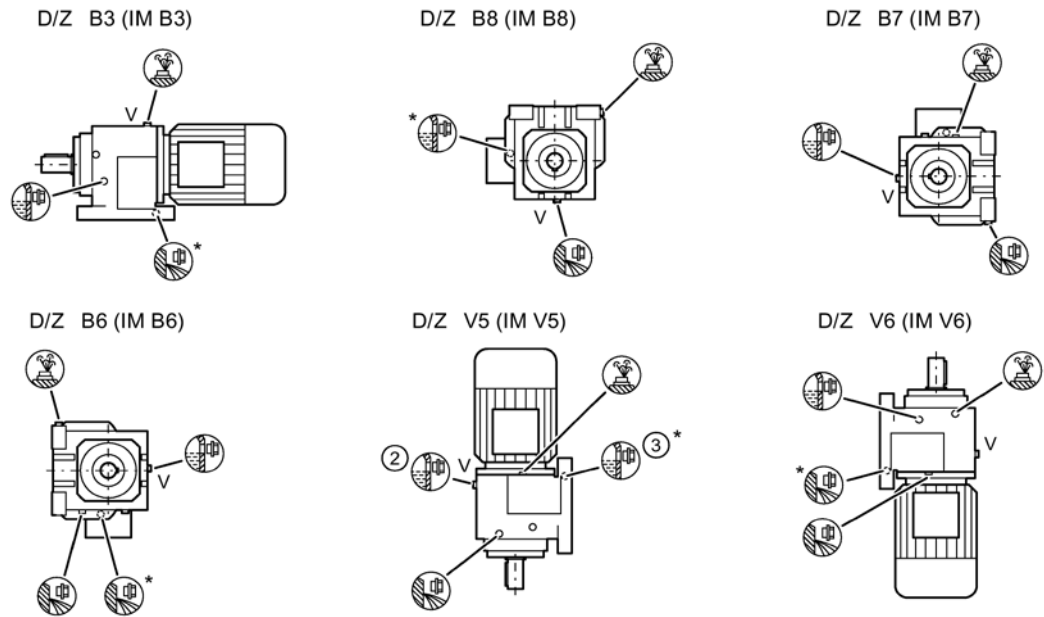


Figure 10-6 Type of construction options for D/Z sizes 18 - 88

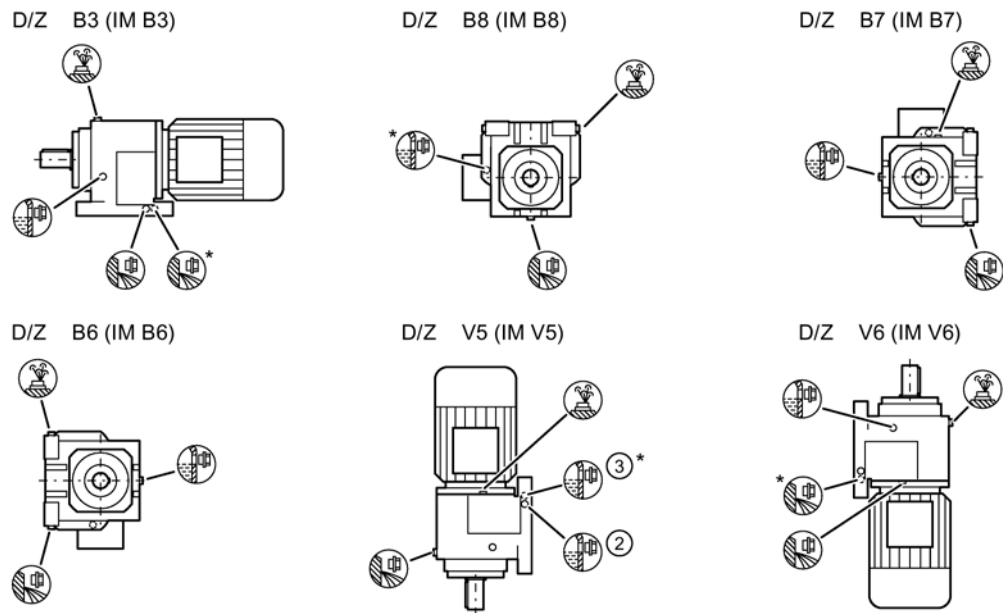


Figure 10-7 Type of construction options for D/Z sizes 108 - 168

10.5 Mounting positions

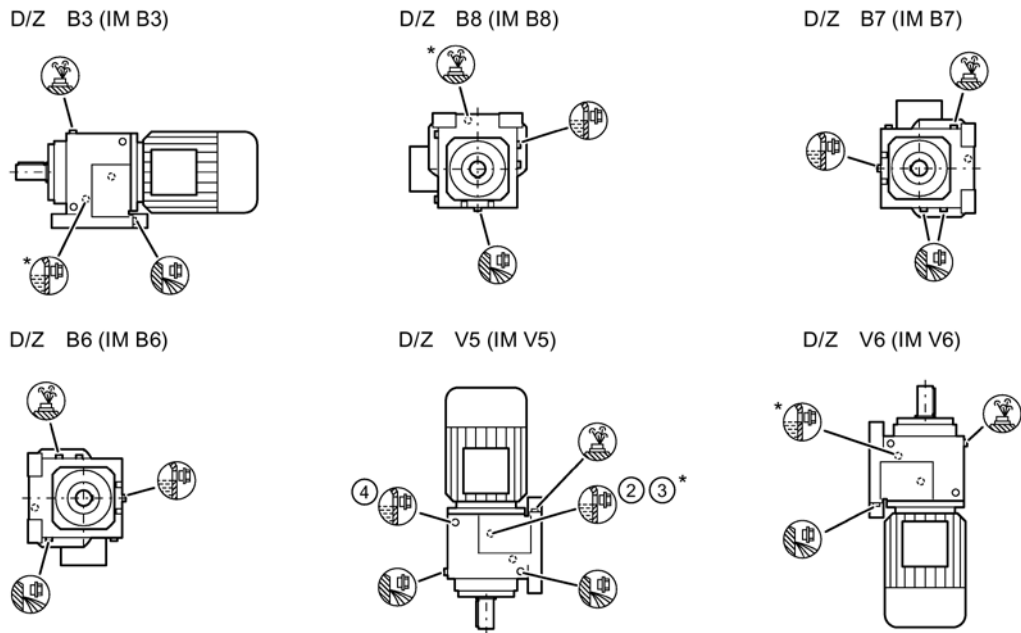


Figure 10-8 Type of construction options for D/Z188

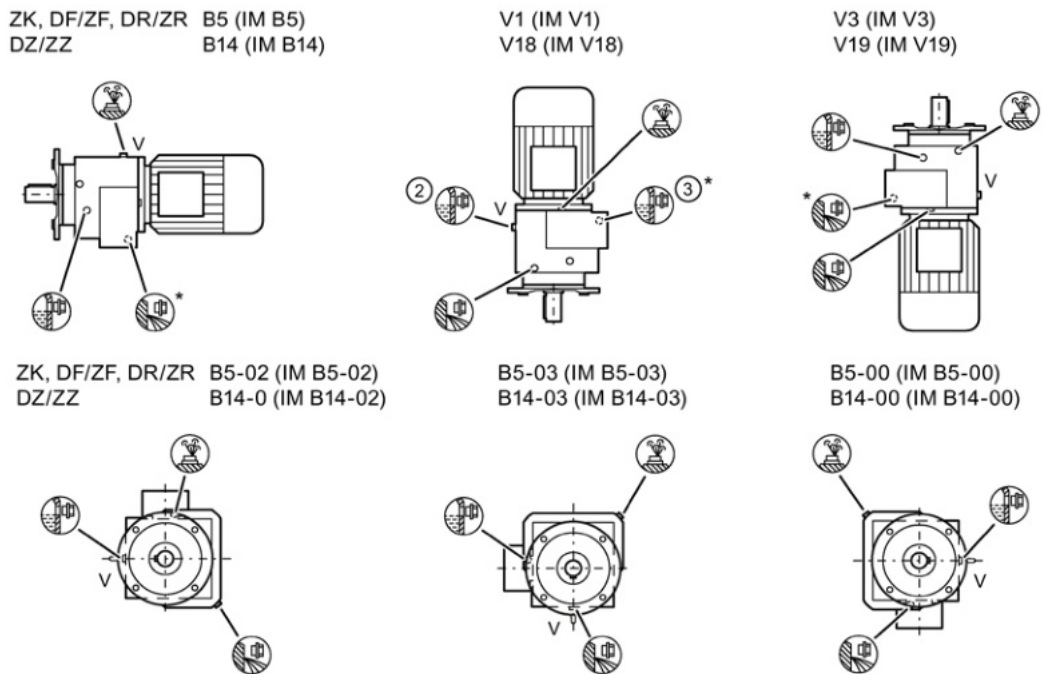
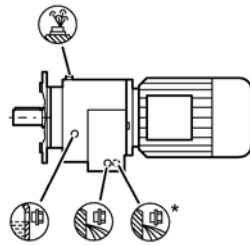
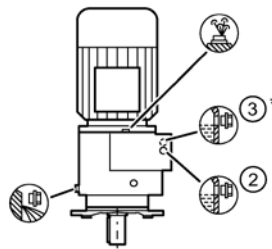


Figure 10-9 Type of construction options for DF/ZF, DZ/ZZ sizes 18 - 88, DR/ZR sizes 68 - 88

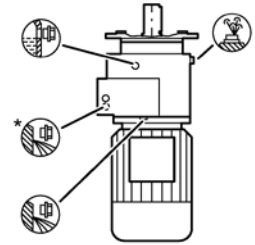
ZK, DF/ZF, DR/ZR B5 (IM B5)
DZ/ZZ B14 (IM B14)



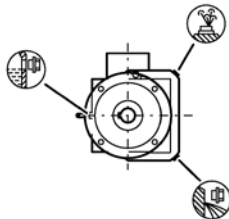
V1 (IM V1)
V18 (IM V18)



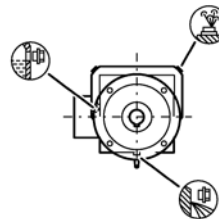
V3 (IM V3)
V19 (IM V19)



ZK, DF/ZF, DR/ZR B5-02 (IM B5-02)
DZ/ZZ B14-0 (IM B14-02)



B5-03 (IM B5-03)
B14-03 (IM B14-03)



B5-00 (IM B5-00)
B14-00 (IM B14-00)

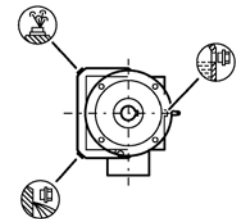
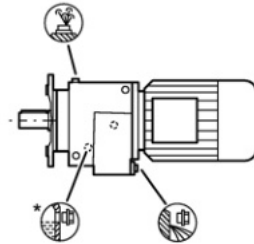
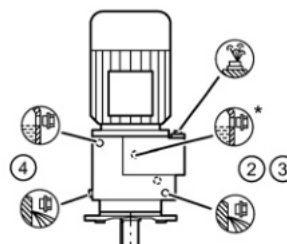


Figure 10-10 Type of construction options for D./Z. sizes 108 - 168

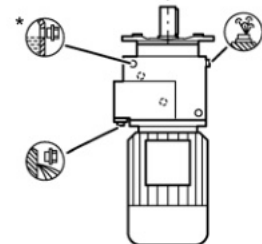
ZK, DF/ZF B5 (IM B5)
DZ/ZZ B14 (IM B14)



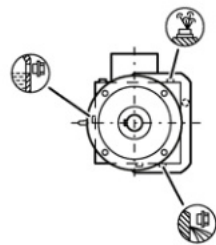
V1 (IM V1)
V18 (IM V18)



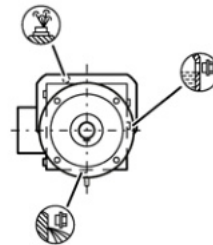
V3 (IM V3)
V19 (IM V19)



ZK, DF/ZF B5-02 (IM B5-02)
DZ/ZZ B14-02 (IM B14-02)



B5-03 (IM B5-03)
B14-03 (IM B14-03)



B5-00 (IM B5-00)
B14-00 (IM B14-00)

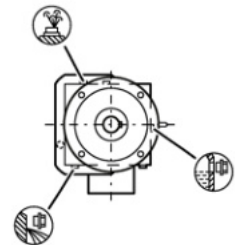


Figure 10-11 Type of construction options for D./Z.188

10.5.3 Parallel shaft gearboxes

Note

On types of construction V3-00/H-06, use the opening marked "F" to check the oil level.

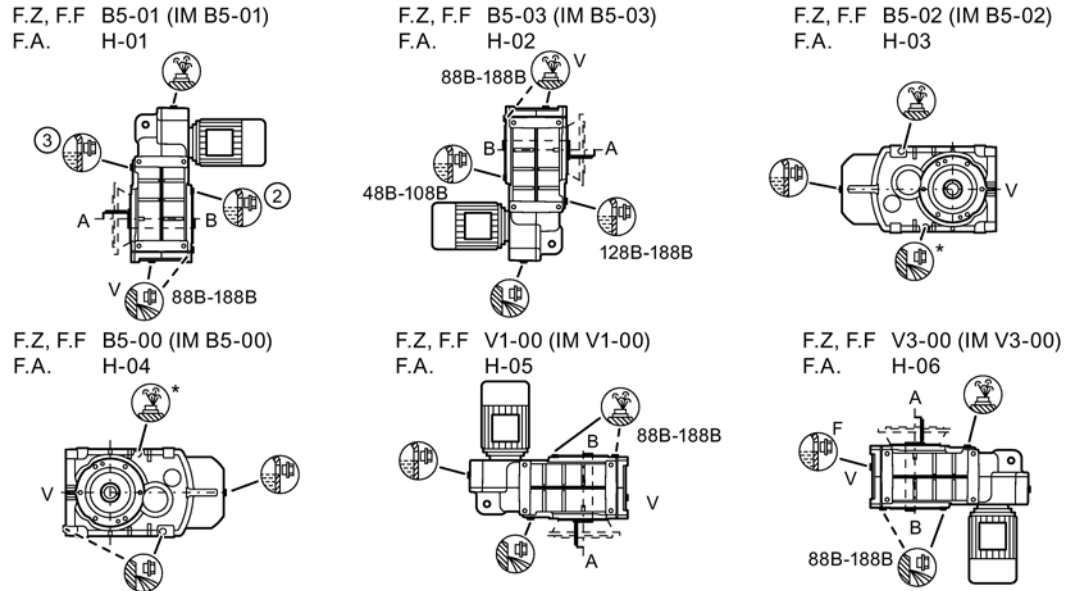


Figure 10-12 Type of construction options for F.28, F. sizes 38B - 188B

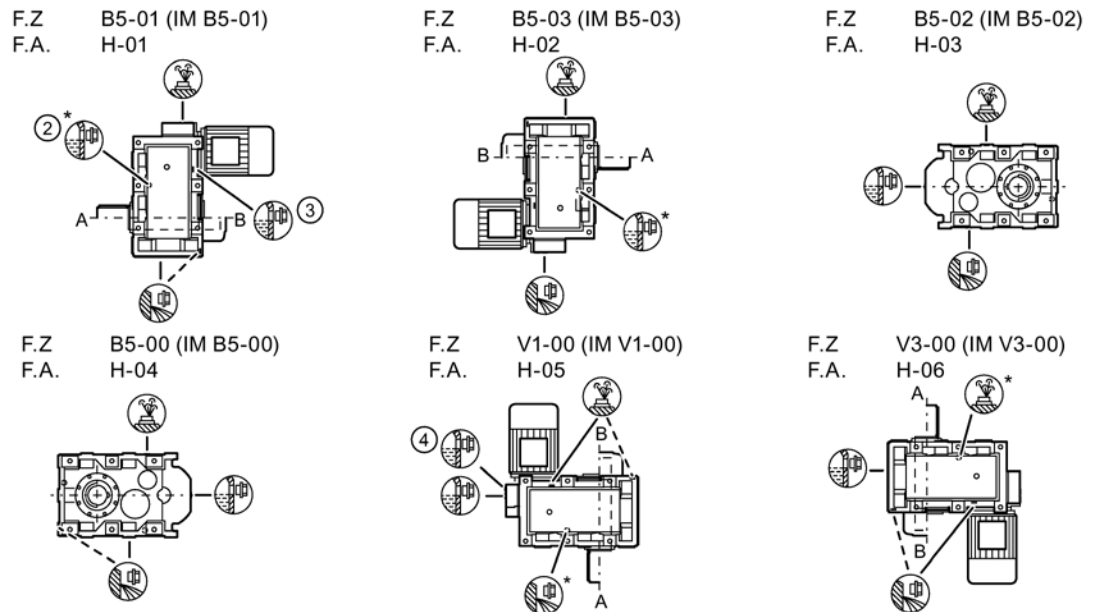
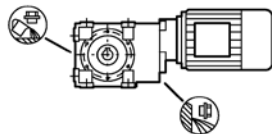


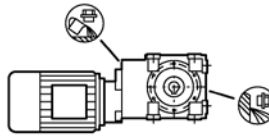
Figure 10-13 Type of construction options for F.208

10.5.4 Bevel helical gearboxes

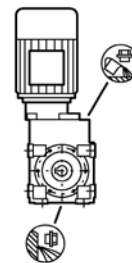
B B3-00 (IM B3-00)
 BZ, BF B5-01 (IM B5-01)
 BA. H-01



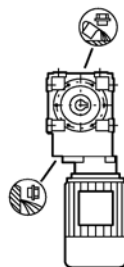
B B8-00 (IM B8-00)
 BZ, BF B5-03 (IM B5-03)
 BA. H-02



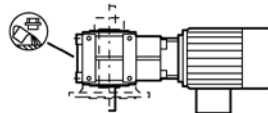
B B7-00 (IM B7-00)
 BZ, BF B5-02 (IM B5-02)
 BA. H-03



B B6-00 (IM B6-00)
 BZ, BF B5-00 (IM B5-00)
 BA. H-04



B V5-00 (IM V5-00)
 BZ, BF V1-00 (IM V1-00)
 BA. H-05



B V6-00 (IM V6-00)
 BZ, BF V3-00 (IM V3-00)
 BA. H-06

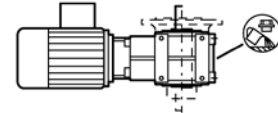
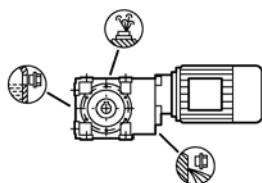
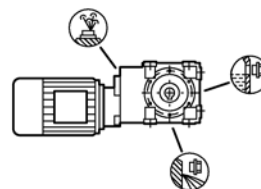


Figure 10-14 Type of construction options for B. sizes 28 - 38 without additional screw plug

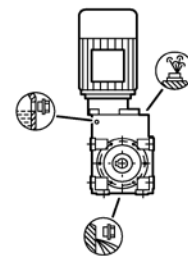
B B3-00 (IM B3-00)
 BZ, BF B5-01 (IM B5-01)
 BA. H-01



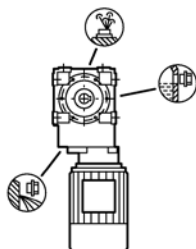
B B8-00 (IM B8-00)
 BZ, BF B5-03 (IM B5-03)
 BA. H-02



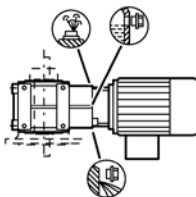
B B7-00 (IM B7-00)
 BZ, BF B5-02 (IM B5-02)
 BA. H-03



B B6-00 (IM B6-00)
 BZ, BF B5-00 (IM B5-00)
 BA. H-04



B V5-00 (IM V5-00)
 BZ, BF V1-00 (IM V1-00)
 BA. H-05



B V6-00 (IM V6-00)
 BZ, BF V3-00 (IM V3-00)
 BA. H-06

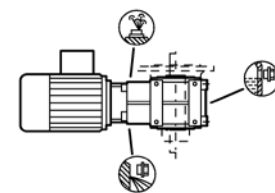


Figure 10-15 Type of construction options for B.38 with additional screw plug

The types of construction shown apply also to the foot- / flange-mounted housing in size 188.

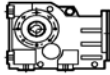
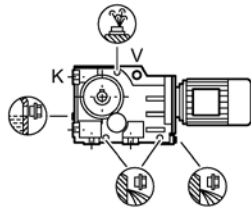


Figure 10-16 Image of foot- / flange-mounted housing K.188

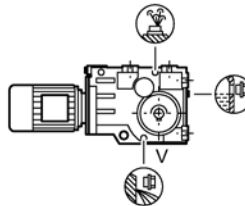
Note

On types of construction B3-00/H-01, use the opening marked "K" to check the oil level.

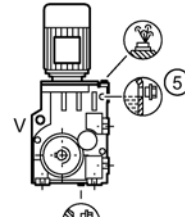
K B3-00 (IM B3-00)
KA. H-01



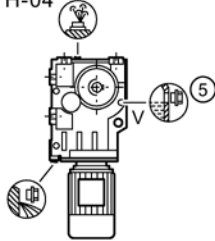
K B8-00 (IM B8-00)
KA. H-02



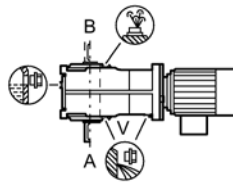
K B7-00 (IM B7-00)
KA. H-03



K B6-00 (IM B6-00)
KA. H-04



K V5-00 (IM V5-00)
KA. H-05



K V6-00 (IM V6-00)
KA. H-06

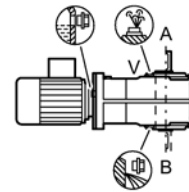
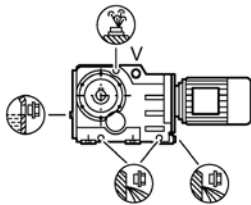
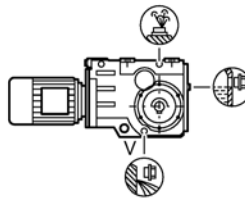


Figure 10-17 Type of construction options for K, KA, KAS, KAT sizes 38 - 188

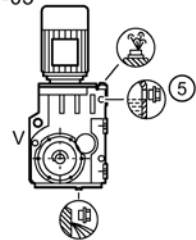
K. B5-01 (IM B5-01)
KA. H-01



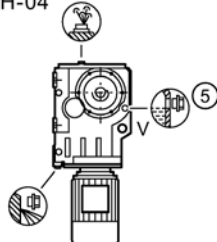
K. B5-03 (IM B5-03)
KA. H-02



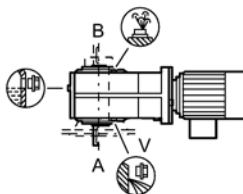
K. B5-02 (IM B5-02)
KA. H-03



K. B5-00 (IM B5-00)
KA. H-04



K. V1-00 (IM V1-00)
KA. H-05



K. V3-00 (IM V3-00)
KA. H-06

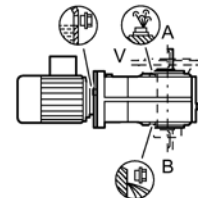


Figure 10-18 Type of construction options for KZ, KF, KM, KAD, KAZ, KAF, KAM, KADS, KAZS, KAFS, KADT, KAZT, KAFT sizes 38 - 188

10.5.5 Helical worm gearboxes

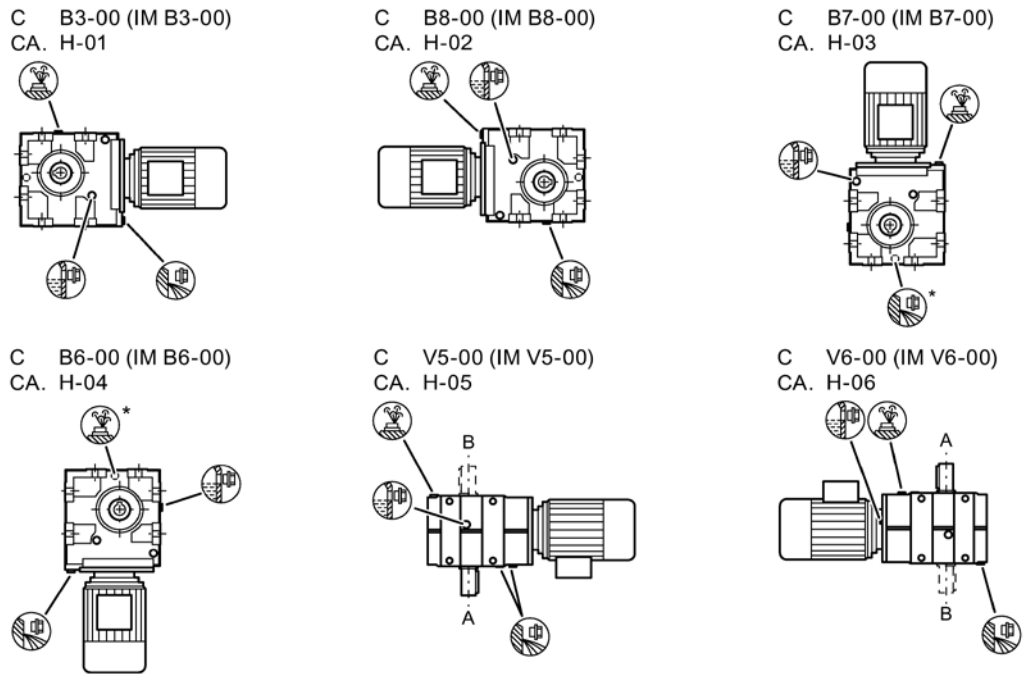


Figure 10-19 Type of construction options for C, CA, CAS, CAT sizes 28 - 88

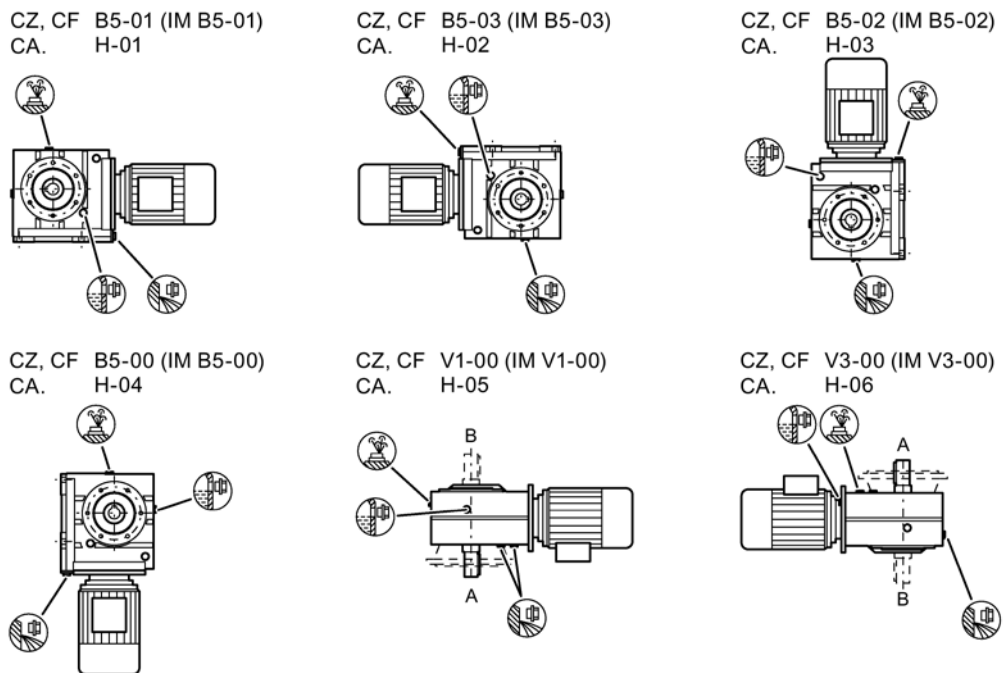


Figure 10-20 Type of construction options for CZ, CF, CAD, CAF, CAZ, CADS, CAFS, CAZS, CADT, CAFT, CAZT sizes 28 - 88

10.5.6 Tandem gearboxes - Intermediate helical gearboxes

Note

In a horizontal operating position the bulging part of the housing of the 2nd gearbox generally faces vertically downwards.

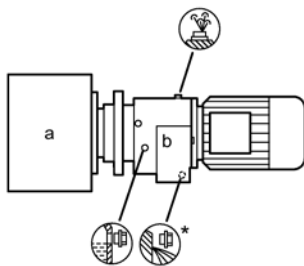
Note

Where tandem gearboxes are concerned, each individual gearbox is to be considered separately.

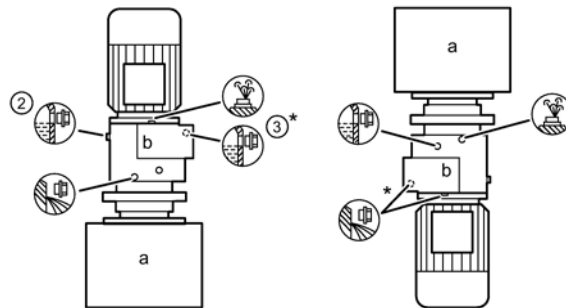
Gearbox sizes 28 and 38 on the 2nd gearbox are lubricated for life.

Screw plugs are not provided.

Horizontal operating position



Vertical operating position



- a Main gearbox
- b 2nd gearbox (intermediate helical gearbox)
- * On opposite side
- ② 2-stage gearbox
- ③ 3-stage gearbox

Figure 10-21 Operating position for tandem gearbox

10.6 Oil quantities

NOTICE

Incorrect oil quantities damage the gearbox

The oil quantities listed in the tables are guide values for changing the oil. They are used, for example, for lubricant storage and procurement. The precise values depend on the number of stages and transmission ratio of the gearbox.

Check the oil level before commissioning.

10.6.1 Helical gearboxes

Table 10-3 Oil quantities [l] for E. sizes 38 - 148

| Type | Type of construction | | | | | | | | | | | |
|-------|----------------------|-----------|-----------------|-----------------|-----------------|-----|-----|------|-----------|-----------|-----|------|
| | B3 | B5 B14 | B5-00 B14-00 | B5-02 B14-02 | B5-03 B14-03 | B6 | B7 | B8 | V1 V18 | V3 V19 | V5 | V6 |
| E.38 | 0.2 | 0.2 | 0.23 | 0.23 | 0.4 | 0.3 | 0.3 | 0.4 | 0.5 | 0.6 | 0.5 | 0.6 |
| E.48 | 0.3 | 0.3 | 0.5 | 0.5 | 0.7 | 0.6 | 0.5 | 0.7 | 0.7 | 1.1 | 0.7 | 1.1 |
| E.68 | 0.5 | 0.5 | 1.0 | 1.0 | 1.4 | 1.0 | 1.1 | 1.5 | 1.7 | 1.9 | 1.8 | 1.9 |
| E.88 | 0.8 | 0.7 | 1.6 | 1.6 | 2.5 | 1.6 | 1.6 | 2.5 | 2.2 | 3.8 | 2.3 | 3.8 |
| E.108 | 1.3 | 1.0 | 2.7 | 2.7 | 4.5 | 2.7 | 2.8 | 4.6 | 3.7 | 6.6 | 3.8 | 6.6 |
| E.128 | 2.3 | 2.3 | 5.2 | 5.1 | 7.2 | 5.3 | 5.2 | 7.2 | 6.4 | 10.9 | 6.4 | 10.9 |
| E.148 | 4.0 | 2.8 | 6.7 | 6.7 | 10.3 | 7.0 | 7.0 | 10.3 | 9.3 | 14.5 | 9.5 | 14.8 |

Table 10-4 Oil quantities [l] for D./Z. sizes 18 - 188

| Type | Type of construction | | | | | | | | | | | |
|-------|----------------------|-----------|-----------------|-----------------|-----------------|------|------|------|-----------|-----------|------|------|
| | B3 | B5 B14 | B5-00 B14-00 | B5-02 B14-02 | B5-03 B14-03 | B6 | B7 | B8 | V1 V18 | V3 V19 | V5 | V6 |
| Z.18 | 0.2 | 0.2 | 0.3 | 0.35 | 0.4 | 0.35 | 0.3 | 0.4 | 0.5 | 0.5 | 0.5 | 0.5 |
| Z.28 | 0.25 | 0.25 | 0.4 | 0.45 | 0.6 | 0.45 | 0.4 | 0.6 | 0.6 | 0.7 | 0.6 | 0.7 |
| Z.38 | 0.5 | 0.5 | 0.6 | 0.6 | 0.6 | 0.6 | 0.6 | 0.6 | 0.8 | 1.2 | 0.7 | 1.1 |
| Z.48 | 1.1 | 1.0 | 1.4 | 1.7 | 1.5 | 1.6 | 1.3 | 1.5 | 1.8 | 2.4 | 1.9 | 2.4 |
| Z.68 | 1.8 | 1.7 | 2.4 | 2.8 | 2.5 | 2.7 | 2.3 | 2.5 | 3.0 | 4.1 | 3.2 | 4.1 |
| Z.88 | 4.1 | 3.7 | 5.5 | 6.3 | 5.7 | 6.1 | 5.3 | 5.7 | 6.8 | 8.3 | 7.5 | 8.8 |
| Z.108 | 7.3 | 6.0 | 10.0 | 11.2 | 8.6 | 10.5 | 9.3 | 8.6 | 13.8 | 14.0 | 13.2 | 13.6 |
| Z.128 | 9.5 | 7.0 | 15.4 | 17.3 | 13.2 | 16.0 | 14.1 | 13.2 | 18.5 | 20.7 | 19.9 | 20.9 |
| Z.148 | 13.0 | 9.9 | 19.9 | 22.4 | 26.9 | 20.8 | 18.3 | 26.9 | 23.9 | 27.7 | 25.7 | 27.4 |
| Z.168 | 21.0 | 15.3 | 33.0 | 37.7 | 32.1 | 34.8 | 30.1 | 32.1 | 48.0 | 45.6 | 48.0 | 41.7 |
| Z.188 | 18.5 | 18.5 | 46.0 | 50.0 | 75.0 | 50.0 | 46.0 | 75.0 | 72.0 | 70.0 | 72.0 | 70.0 |
| D.18 | 0.2 | 0.2 | 0.3 | 0.35 | 0.4 | 0.35 | 0.3 | 0.4 | 0.5 | 0.5 | 0.5 | 0.5 |
| D.28 | 0.25 | 0.25 | 0.4 | 0.45 | 0.6 | 0.45 | 0.4 | 0.6 | 0.6 | 0.7 | 0.6 | 0.7 |
| D.38 | 0.5 | 0.5 | 0.6 | 0.6 | 0.6 | 0.6 | 0.6 | 0.6 | 0.9 | 1.1 | 0.9 | 1.1 |
| D.48 | 1.1 | 1.0 | 1.5 | 1.6 | 1.5 | 1.5 | 1.4 | 1.5 | 2.3 | 2.4 | 2.4 | 2.4 |
| D.68 | 1.7 | 1.6 | 2.5 | 2.7 | 2.6 | 2.6 | 2.4 | 2.6 | 3.9 | 4.0 | 4.0 | 4.0 |
| D.88 | 4.0 | 3.6 | 5.6 | 6.1 | 5.9 | 5.9 | 5.4 | 5.9 | 8.7 | 8.9 | 9.3 | 8.9 |
| D.108 | 7.1 | 5.7 | 10.2 | 11.0 | 10.0 | 10.3 | 9.5 | 10.0 | 16.3 | 14.2 | 15.6 | 13.7 |
| D.128 | 9.4 | 6.8 | 16.1 | 17.1 | 14.1 | 15.8 | 14.8 | 14.1 | 24.6 | 21.8 | 24.4 | 21.5 |
| D.148 | 12.5 | 9.4 | 20.7 | 22.0 | 23.4 | 20.4 | 19.1 | 23.4 | 30.6 | 28.2 | 32.2 | 27.9 |
| D.168 | 19.0 | 16.0 | 32.7 | 35.6 | 33.8 | 34.1 | 31.2 | 33.8 | 53.0 | 43.7 | 54.4 | 42.2 |
| D.188 | 18,4 | 18,4 | 46,0 | 48,0 | 73,0 | 48,0 | 46,0 | 73,0 | 69,0 | 68,0 | 69,0 | 68,0 |

10.6.2 Parallel shaft gearboxes

Table 10- 5 Oil quantities [l] for F. sizes 28, 38B - 188B, 208

| Type | Type of construction | | | | | |
|---------|----------------------|---------------|---------------|---------------|---------------|---------------|
| | B5-01 H-01 | B5-03 H-02 | B5-02 H-03 | B5-00 H-04 | V1-00 H-05 | V3-00 H-06 |
| FZ.28 | 0.6 | 0.45 | 0.5 | 0.5 | 0.65 | 0.85 |
| FZ.38B | 0.7 | 0.6 | 0.7 | 0.7 | 1.0 | 1.1 |
| FZ.48B | 1.6 | 1.0 | 1.3 | 1.3 | 1.8 | 2.1 |
| FZ.68B | 2.5 | 2.3 | 2.4 | 2.3 | 3.3 | 3.8 |
| FZ.88B | 4.5 | 5.0 | 4.8 | 4.6 | 7.0 | 6.6 |
| FZ.108B | 7.4 | 9.2 | 8.4 | 8.1 | 11.1 | 13.1 |
| FZ.128B | 13.8 | 13.7 | 15.5 | 14.8 | 22.1 | 22.7 |
| FZ.148B | 19.5 | 20.8 | 22.7 | 22.3 | 34.5 | 33.5 |
| FZ.168B | 32.8 | 30.0 | 37.0 | 35.8 | 53.8 | 53.0 |
| FZ.188B | 41.4 | 40.7 | 44.2 | 46.5 | 68.0 | 66.4 |
| FZ.208 | 77.0 | 64.5 | 73.8 | 66.3 | 108.7 | 112.2 |
| FD.28 | 0.6 | 0.45 | 0.5 | 0.5 | 0.65 | 0.75 |
| FD.38B | 0.9 | 0.6 | 0.7 | 0.7 | 0.9 | 1.1 |
| FD.48B | 2.0 | 0.9 | 1.3 | 1.3 | 1.8 | 2.0 |
| FD.68B | 3.3 | 2.3 | 2.4 | 2.3 | 3.2 | 3.8 |
| FD.88B | 6.3 | 5.0 | 4.7 | 4.7 | 6.8 | 6.7 |
| FD.108B | 10.6 | 9.1 | 8.2 | 8.2 | 11.1 | 13.0 |
| FD.128B | 16.8 | 13.5 | 15.2 | 14.8 | 21.6 | 22.5 |
| FD.148B | 24.7 | 20.3 | 21.8 | 22.3 | 33.6 | 32.6 |
| FD.168B | 44.0 | 28.8 | 36.0 | 35.8 | 52.4 | 51.9 |
| FD.188B | 52.0 | 38.4 | 44.5 | 54.1 | 66.0 | 65.2 |
| FD.208 | 95,4 | 61,5 | 71,5 | 66,2 | 104,6 | 108,6 |

10.6.3 Bevel helical gearboxes

Table 10- 6 Oil quantities [l] for B, BA, BAS, BAT sizes 28 - 38; K, KA, KAS, KAT sizes 38 - 188

| Type | Type of construction | | | | | |
|-------|----------------------|---------------|---------------|---------------|---------------|---------------|
| | B3-00 H-01 | B8-00 H-02 | B7-00 H-03 | B6-00 H-04 | V5-00 H-05 | V6-00 H-06 |
| B.28 | 0.25 | 0.6 | 0.9 | 0.55 | 0.5 | 0.5 |
| B.38 | 0.7 | 1.1 | 1.6 | 1.0 | 0.95 | 0.8 |
| K.38 | 0.5 | 1.1 | 1.5 | 0.8 | 1.0 | 0.9 |
| K.48 | 0.7 | 1.6 | 2.1 | 1.4 | 1.5 | 1.8 |
| K.68 | 1.6 | 3.2 | 4.2 | 2.7 | 3.0 | 3.0 |
| K.88 | 2.6 | 5.7 | 7.8 | 5.0 | 4.9 | 5.2 |
| K.108 | 5.5 | 9.5 | 13.0 | 8.8 | 8.7 | 8.3 |
| K.128 | 8.3 | 19.6 | 24.7 | 15.8 | 16.9 | 16.1 |
| K.148 | 14.8 | 30.2 | 40.1 | 22.0 | 25.8 | 27.0 |
| K.168 | 21.6 | 45.6 | 62.0 | 34.2 | 40.2 | 38.5 |
| K.188 | 33.8 | 82.5 | 105.0 | 63.4 | 70.7 | 69.4 |

Table 10- 7 Oil quantities [l] for BZ, BF, BAD, BAF, BAZ, BADS, BAFS, BAZS, BADT, BAFT, BAZT sizes 28 - 38; KZ, KF, KM, KAD, KAZ, KAF, KAM, KADS, KAZS, KAFS, KADT, KAZT, KAFT sizes 38 - 188

| Type | Type of construction | | | | | |
|-------|----------------------|---------------|---------------|---------------|---------------|---------------|
| | B5-01 H-01 | B5-03 H-02 | B5-02 H-03 | B5-00 H-04 | V1-00 H-05 | V3-00 H-06 |
| B.28 | 0.25 | 0.6 | 0.9 | 0.55 | 0.5 | 0.5 |
| B.38 | 0.7 | 1.1 | 1.6 | 1.0 | 0.95 | 0.8 |
| K.38 | 0.5 | 1.1 | 1.6 | 0.8 | 1.0 | 0.9 |
| K.48 | 0.7 | 1.7 | 2.2 | 1.4 | 1.6 | 1.8 |
| K.68 | 1.6 | 3.2 | 4.4 | 2.6 | 2.8 | 3.0 |
| K.88 | 2.6 | 5.8 | 8.1 | 5.0 | 5.1 | 5.0 |
| K.108 | 6.2 | 9.9 | 14.2 | 8.9 | 10.0 | 8.9 |
| K.128 | 8.7 | 19.6 | 25.4 | 14.8 | 17.5 | 16.6 |
| K.148 | 14.8 | 30.1 | 42.0 | 25.0 | 26.0 | 28.1 |
| K.168 | 21.7 | 46.3 | 64.0 | 34.8 | 41.1 | 39.4 |
| K.188 | 33,8 | 82,5 | 105,0 | 63,4 | 70,7 | 69,4 |

10.6.4 Helical worm gearboxes

Table 10- 8 Oil quantities [l] for C, CA, CAS, CAT sizes 28 - 88

| Type | Type of construction | | | | | |
|------|----------------------|---------------|---------------|---------------|---------------|---------------|
| | B3-00 H-01 | B8-00 H-02 | B7-00 H-03 | B6-00 H-04 | V5-00 H-05 | V6-00 H-06 |
| C.28 | 0.2 | 0.4 | 0.6 | 0.2 | 0.6 | 0.35 |
| C.38 | 0.5 | 1.2 | 1.3 | 1.2 | 1.2 | 1.2 |
| C.48 | 0.7 | 1.6 | 1.7 | 1.6 | 1.3 | 1.3 |
| C.68 | 1.5 | 3.3 | 4.1 | 3.3 | 2.8 | 2.9 |
| C.88 | 1.7 | 6.1 | 6.5 | 5.1 | 4.5 | 4.5 |

Table 10- 9 Oil quantities [l] for CZ, CF, CAD, CAF, CAZ, CADS, CAFS, CAZS, CADT, CAFT, CAZT sizes 28 - 88

| Type | Type of construction | | | | | |
|------|----------------------|---------------|---------------|---------------|---------------|---------------|
| | B5-01 H-01 | B5-03 H-02 | B5-02 H-03 | B5-00 H-04 | V1-00 H-05 | V3-00 H-06 |
| C.28 | 0.2 | 0.4 | 0.6 | 0.2 | 0.6 | 0.35 |
| C.38 | 0.4 | 1.2 | 1.3 | 1.1 | 1.0 | 1.0 |
| C.48 | 0.5 | 1.7 | 1.8 | 1.6 | 1.3 | 1.3 |
| C.68 | 1.5 | 3.6 | 4.2 | 3.3 | 3.1 | 3.2 |
| C.88 | 1,7 | 5,9 | 7,3 | 5,2 | 4,8 | 4,8 |

10.6.5 Tandem gearboxes - Intermediate helical gearboxes

10.6.5.1 Two- and three-stage helical gearboxes

Table 10- 10 Oil quantities [l] for Z.38, D. sizes 48 - 188

| Type | Type of construction | | | | | | | |
|------------|----------------------|------------------|------------------|------------------|------------------|------------------|------------------|------------------|
| | B3 | B5 B14 | B5-00 B14-00 | B5-02 B14-02 | B5-03 B14-03 | B6 | B7 | B8 |
| Z.38-D/Z28 | 0.5+0.25 0.75 | 0.5+0.25 0.75 | 0.6+0.25 0.85 | 0.6+0.25 0.85 | 0.6+0.25 0.85 | 0.6+0.25 0.85 | 0.6+0.25 0.85 | 0.6+0.25 0.85 |
| D.48-D/Z28 | 1.1+0.25 1.35 | 1.0+0.25 1.25 | 1.5+0.25 1.75 | 1.6+0.25 1.85 | 1.5+0.25 1.75 | 1.5+0.25 1.75 | 1.4+0.25 1.65 | 1.5+0.25 1.75 |
| D.68-D/Z28 | 1.7+0.25 1.95 | 1.6+0.25 1.85 | 2.5+0.25 2.75 | 2.7+0.25 2.95 | 2.6+0.25 2.85 | 2.6+0.25 2.85 | 2.4+0.25 2.65 | 2.6+0.25 2.85 |
| D.88-D/Z28 | 4.0+0.25 4.25 | 3.6+0.25 3.85 | 5.6+0.25 5.85 | 6.1+0.25 6.35 | 5.9+0.25 6.15 | 5.9+0.25 6.15 | 5.4+0.25 5.65 | 5.9+0.25 6.15 |
| D.108-Z38 | 7.1+0.5 7.6 | 5.7+0.5 6.2 | 10.2+0.5 10.7 | 11.0+0.5 11.5 | 10.0+0.5 10.5 | 10.3+0.5 10.8 | 9.5+0.5 10.0 | 10.0+0.5 10.5 |
| D.108-D38 | 7.1+0.5 7.6 | 5.7+0.5 6.2 | 10.2+0.5 10.7 | 11.0+0.5 11.5 | 10.0+0.5 10.5 | 10.3+0.5 10.8 | 9.5+0.5 10.0 | 10.0+0.5 10.5 |
| D.128-Z38 | 9.4+0.5 9.9 | 6.8+0.5 7.3 | 16.1+0.5 16.6 | 17.1+0.5 17.6 | 14.1+0.5 14.6 | 15.8+0.5 16.3 | 14.8+0.5 15.3 | 14.1+0.5 14.6 |
| D.128-Z48 | 9.4+1.0 10.4 | 6.8+1.0 7.8 | 16.1+1.0 17.1 | 17.1+1.0 18.1 | 14.1+1.0 15.1 | 15.8+1.0 16.8 | 14.8+1.0 15.8 | 14.1+1.0 15.1 |
| D.128-D38 | 9.4+0.5 9.9 | 6.8+0.5 7.3 | 16.1+0.5 16.6 | 17.1+0.5 17.6 | 14.1+0.5 14.6 | 15.8+0.5 16.3 | 14.8+0.5 15.3 | 14.1+0.5 14.6 |
| D.148-Z38 | 12.5+0.5 13.0 | 9.4+0.5 9.9 | 20.7+0.5 21.2 | 22.0+0.5 22.5 | 23.4+0.5 23.9 | 20.4+0.5 20.9 | 19.1+0.5 19.6 | 23.4+0.5 23.9 |
| D.148-Z48 | 12.5+1.0 13.5 | 9.4+1.0 10.4 | 20.7+1.0 21.7 | 22.0+1.0 23.0 | 23.4+1.0 24.4 | 20.4+1.0 21.4 | 19.1+1.0 20.1 | 23.4+1.0 24.4 |
| D.148-D38 | 12.5+0.5 13.0 | 9.4+0.5 9.9 | 20.7+0.5 21.2 | 22.0+0.5 22.5 | 23.4+0.5 23.9 | 20.4+0.5 20.9 | 19.1+0.5 19.6 | 23.4+0.5 23.9 |
| D.168-Z48 | 19.0+1.0 20.0 | 16.0+1.0 17.0 | 32.7+1.0 33.7 | 35.6+1.0 36.6 | 33.8+1.0 34.8 | 34.1+1.0 35.1 | 31.2+1.0 32.2 | 33.8+1.0 34.8 |
| D.168-Z68 | 19.0+1.7 20.7 | 16.0+1.7 17.7 | 32.7+1.7 34.4 | 35.6+1.7 37.3 | 33.8+1.7 35.5 | 34.1+1.7 35.8 | 31.2+1.7 32.9 | 33.8+1.7 35.5 |
| D.168-D48 | 19.0+1.0 20.0 | 16.0+1.0 17.0 | 32.7+1.0 33.7 | 35.6+1.0 36.6 | 33.8+1.0 34.8 | 34.1+1.0 35.1 | 31.2+1.0 32.2 | 33.8+1.0 34.8 |
| D.188-Z48 | 18.4+1.0 19.4 | 18.4+1.0 19.4 | 46.0+1.0 47.0 | 48.0+1.0 49.0 | 73.0+1.0 74.0 | 48.0+1.0 49.0 | 46.0+1.0 47.0 | 73.0+1.0 74.0 |
| D.188-Z68 | 18.4+1.7 20.1 | 18.4+1.7 20.1 | 46.0+1.7 47.7 | 48.0+1.7 49.7 | 73.0+1.7 74.7 | 48.0+1.7 49.7 | 46.0+1.7 47.7 | 73.0+1.7 74.7 |
| D.188-D48 | 18.4+1.0 19.4 | 18.4+1.0 19.4 | 46.0+1.0 47.0 | 48.0+1.0 49.0 | 73.0+1.0 74.0 | 48.0+1.0 49.0 | 46.0+1.0 47.0 | 73.0+1.0 74.0 |

10.6 Oil quantities

Table 10- 11 Oil quantities [l] for Z.38, D. sizes 48 - 188

| Type | Type of construction | | | |
|------------|----------------------|------------------|------------------|------------------|
| | V1 V18 | V3 V19 | V5 | V6 |
| Z.38-D/Z28 | 0.8+0.6 1.4 | 1.2+0.7 1.9 | 0.7+0.6 1.3 | 1.1+0.7 1.8 |
| D.48-D/Z28 | 2.3+0.6 2.9 | 2.4+0.7 3.1 | 2.4+0.6 3.0 | 2.4+0.7 3.1 |
| D.68-D/Z28 | 3.9+0.6 4.5 | 4.0+0.7 4.7 | 4.0+0.6 4.6 | 4.0+0.7 4.7 |
| D.88-D/Z28 | 8.7+0.6 9.3 | 8.9+0.7 9.6 | 9.3+0.6 9.9 | 8.9+0.7 9.6 |
| D.108-Z38 | 16.3+0.8 17.1 | 14.2+1.2 15.4 | 15.6+0.8 16.4 | 13.7+1.2 14.9 |
| D.108-D38 | 16.3+0.9 17.2 | 14.2+1.1 15.3 | 15.6+0.9 16.5 | 13.7+1.1 14.8 |
| D.128-Z38 | 24.6+0.8 25.4 | 21.8+1.2 23.0 | 24.4+0.8 25.2 | 21.5+1.2 22.7 |
| D.128-Z48 | 24.6+1.8 26.4 | 21.8+2.4 24.2 | 24.4+1.8 26.2 | 21.5+2.4 23.9 |
| D.128-D38 | 24.6+0.9 25.5 | 21.8+1.1 22.9 | 24.4+0.9 25.3 | 21.5+1.1 22.6 |
| D.148-Z38 | 30.6+0.8 31.4 | 28.2+1.2 29.4 | 32.2+0.8 33.0 | 27.9+1.2 29.1 |
| D.148-Z48 | 30.6+1.8 32.4 | 28.2+2.4 30.6 | 32.2+1.8 34.0 | 27.9+2.4 30.3 |
| D.148-D38 | 30.6+0.9 31.5 | 28.2+1.1 29.3 | 32.2+0.9 33.1 | 27.9+1.1 29.0 |
| D.168-Z48 | 53.0+1.8 54.8 | 43.7+2.4 46.1 | 54.4+1.8 56.2 | 42.2+2.4 44.6 |
| D.168-Z68 | 53.0+3.0 56.0 | 43.7+4.1 47.8 | 54.4+3.0 57.4 | 42.2+4.1 46.3 |
| D.168-D48 | 53.0+2.3 55.3 | 43.7+2.4 46.1 | 54.4+2.3 56.7 | 42.2+2.4 44.6 |
| D.188-Z48 | 83.0+1.8 84.8 | 68.0+2.4 70.4 | 83.0+1.8 84.8 | 68.0+2.4 70.4 |
| D.188-Z68 | 83.0+3.0 86.0 | 68.0+4.1 72.1 | 83.0+3.0 86.0 | 68.0+4.1 72.1 |
| D.188-D48 | 83,0+2,3 85,3 | 68,0+2,4 70,4 | 83,0+2,3 85,3 | 68,0+2,4 70,4 |

10.6.5.2 Parallel shaft gearboxes

Table 10- 12 Oil quantities [l] for FD. Sizes 38B - 188B, 208

| Type | Type of construction | | | | | |
|--------------|----------------------|------------------|------------------|------------------|--------------------|--------------------|
| | B5-01 H-01 | B5-03 H-02 | B5-02 H-03 | B5-00 H-04 | V1-00 H-05 | V3-00 H-06 |
| FD.38B-D/Z28 | 0.9+0.25 1.15 | 0.6+0.25 0.85 | 0.7+0.25 0.95 | 0.7+0.25 0.95 | 0.9+0.6 1.5 | 1.1+0.7 1.8 |
| FD.48B-D/Z28 | 2.0+0.25 2.25 | 0.9+0.25 1.15 | 1.3+0.25 1.55 | 1.3+0.25 1.55 | 1.8+0.6 2.4 | 2.0+0.7 2.7 |
| FD.68B-D/Z28 | 3.3+0.25 3.55 | 2.3+0.25 2.55 | 2.4+0.25 2.65 | 2.3+0.25 2.55 | 3.2+0.6 3.8 | 3.8+0.7 4.5 |
| FD.88B-D/Z28 | 6.3+0.25 6.55 | 5.0+0.25 5.25 | 4.7+0.25 4.95 | 4.7+0.25 4.95 | 6.8+0.6 7.4 | 6.7+0.7 7.4 |
| FD.108B-Z38 | 10.6+0.5 11.1 | 9.1+0.5 9.6 | 8.2+0.5 8.7 | 8.2+0.5 8.7 | 11.1+0.8 11.9 | 13.0+1.2 14.2 |
| FD.108B-D38 | 10.6+0.5 11.1 | 9.1+0.5 9.6 | 8.2+0.5 8.7 | 8.2+0.5 8.7 | 11.1+0.9 12.0 | 13.0+1.1 14.1 |
| FD.128B-Z38 | 16.8+0.5 17.3 | 13.5+0.5 14.0 | 15.2+0.5 15.7 | 14.8+0.5 15.3 | 21.6+0.8 22.4 | 22.5+1.2 23.7 |
| FD.128B-Z48 | 16.8+1.0 17.8 | 13.5+1.0 14.5 | 15.2+1.0 16.2 | 14.8+1.0 15.8 | 21.6+1.8 23.4 | 22.5+2.4 24.9 |
| FD.128B-D38 | 16.8+0.5 17.3 | 13.5+0.5 14.0 | 15.2+0.5 15.7 | 14.8+0.5 15.3 | 21.6+0.9 22.5 | 22.5+1.1 23.6 |
| FD.148B-Z38 | 24.7+0.5 25.2 | 20.3+0.5 20.8 | 21.8+0.5 22.3 | 22.3+0.5 22.8 | 33.6+0.8 34.4 | 32.6+1.2 33.8 |
| FD.148B-Z48 | 24.7+1.0 25.7 | 20.3+1.0 21.3 | 21.8+1.0 22.8 | 22.3+1.0 23.3 | 33.6+1.8 35.4 | 32.6+2.4 35.0 |
| FD.148B-D38 | 24.7+0.5 25.2 | 20.3+0.5 20.8 | 21.8+0.5 22.3 | 22.3+0.5 22.8 | 33.6+0.9 34.5 | 32.6+1.1 33.7 |
| FD.168B-Z48 | 44.0+1.0 45.0 | 28.8+1.0 29.8 | 36.0+1.0 37.0 | 35.8+1.0 36.8 | 52.4+1.8 54.2 | 51.9+2.4 54.3 |
| FD.168B-Z68 | 44.0+1.7 45.7 | 28.8+1.7 30.5 | 36.0+1.7 37.7 | 35.8+1.7 37.5 | 52.4+3.0 55.4 | 51.9+4.1 56.0 |
| FD.168B-D48 | 44.0+1.0 45.0 | 28.8+1.0 29.8 | 36.0+1.0 37.0 | 35.8+1.0 36.8 | 52.4+2.3 54.7 | 51.9+2.4 54.3 |
| FD.188B-Z48 | 52.0+1.0 53.0 | 38.4+1.0 39.4 | 44.5+1.0 45.5 | 54.1+1.0 55.1 | 66.0+1.8 67.8 | 65.2+2.4 67.6 |
| FD.188B-Z68 | 52.0+1.7 53.7 | 38.4+1.7 40.1 | 44.5+1.7 46.2 | 54.1+1.7 55.8 | 66.0+3.0 69.0 | 65.2+4.1 69.3 |
| FD.188B-D48 | 52.0+1.0 53.0 | 38.4+1.0 39.4 | 44.5+1.0 45.5 | 54.1+1.0 55.1 | 66.0+2.3 68.3 | 65.2+2.4 67.6 |
| FD.208-D68 | 95.4+1.6 97.0 | 61.5+1.6 63.1 | 71.5+1.6 73.1 | 66.2+1.6 67.8 | 126.5+3.9 130.4 | 108.6+4.0 112.6 |
| FD.208-Z68 | 95.4+1.7 97.1 | 61.5+1.7 63.2 | 71.5+1.7 73.2 | 66.2+1.7 67.9 | 126.5+3.0 129.5 | 108.6+4.1 112.7 |
| FD.208-Z88 | 95,4+3,7 99,1 | 61,5+3,7 65,2 | 71,5+3,7 75,2 | 66,2+3,7 69,9 | 126,5+6,8 133,3 | 108,6+8,3 116,9 |

10.6.5.3 Bevel helical gearboxes

Table 10- 13 Oil quantities [l] for K, KA, KAS, KAT sizes 38 - 188

| Type | Type of construction | | | | | |
|------------|----------------------|------------------|--------------------|------------------|------------------|------------------|
| | B3-00 H-01 | B8-00 H-02 | B7-00 H-03 | B6-00 H-04 | V5-00 H-05 | V6-00 H-06 |
| K.38-D/Z28 | 0.5+0.25 0.75 | 1.1+0.25 1.35 | 1.5+0.6 2.1 | 0.8+0.7 1.5 | 1.0+0.25 1.25 | 0.9+0.25 1.15 |
| K.48-D/Z28 | 0.7+0.25 0.95 | 1.6+0.25 1.85 | 2.1+0.6 2.7 | 1.4+0.7 2.1 | 1.5+0.25 1.75 | 1.8+0.25 2.05 |
| K.68-D/Z28 | 1.6+0.25 1.85 | 3.2+0.25 3.45 | 4.2+0.6 4.8 | 2.7+0.7 3.4 | 3.0+0.25 3.25 | 3.0+0.25 3.25 |
| K.88-D/Z28 | 2.6+0.25 2.85 | 5.7+0.25 5.95 | 7.8+0.6 8.4 | 5.0+0.7 5.7 | 4.9+0.25 5.15 | 5.2+0.25 5.45 |
| K.108-Z38 | 5.5+0.5 6.0 | 9.5+0.5 10.0 | 13.0+0.8 13.8 | 8.8+1.2 10.0 | 8.7+0.5 9.2 | 8.3+0.5 8.8 |
| K.108-Z48 | 5.5+1.0 6.5 | 9.5+1.0 10.5 | 13.0+1.8 14.8 | 8.8+2.4 11.2 | 8.7+1.0 9.7 | 8.3+1.0 9.3 |
| K.108-D38 | 5.5+0.5 6.0 | 9.5+0.5 10.0 | 13.0+0.9 13.9 | 8.8+1.1 9.9 | 8.7+0.5 9.2 | 8.3+0.5 8.8 |
| K.128-Z38 | 8.3+0.5 8.8 | 19.6+0.5 20.1 | 24.7+0.8 25.5 | 15.8+1.2 17.0 | 16.9+0.5 17.4 | 16.1+0.5 16.6 |
| K.128-Z48 | 8.3+1.0 9.3 | 19.6+1.0 20.6 | 24.7+1.8 26.5 | 15.8+2.4 18.2 | 16.9+1.0 17.9 | 16.1+1.0 17.1 |
| K.128-D38 | 8.3+0.5 8.8 | 19.6+0.5 20.1 | 24.7+0.9 25.6 | 15.8+1.1 16.9 | 16.9+0.5 17.4 | 16.1+0.5 16.6 |
| K.148-Z38 | 14.8+0.5 15.3 | 30.2+0.5 30.7 | 40.1+0.8 40.9 | 22.0+1.2 23.2 | 25.8+0.5 26.3 | 27.0+0.5 27.5 |
| K.148-Z68 | 14.8+1.7 16.5 | 30.2+1.7 31.9 | 40.1+3.0 43.1 | 22.0+4.1 26.1 | 25.8+1.7 27.5 | 27.0+1.7 28.7 |
| K.148-D38 | 14.8+0.5 15.3 | 30.2+0.5 30.7 | 40.1+0.9 40.9 | 22.0+1.1 23.1 | 25.8+0.5 26.3 | 27.0+0.5 27.5 |
| K.168-Z48 | 21.6+1.0 22.6 | 45.6+1.0 46.6 | 62.0+1.8 63.8 | 34.2+2.4 36.6 | 40.2+1.0 41.2 | 38.5+1.0 39.5 |
| K.168-Z.68 | 21.6+1.7 23.3 | 45.6+1.7 47.3 | 62.0+3.0 65.0 | 34.2+4.1 38.3 | 40.2+1.7 41.9 | 38.5+1.7 40.2 |
| K.168-D48 | 21.6+1.0 22.6 | 45.6+1.0 46.6 | 62.0+2.3 64.3 | 34.2+2.4 36.6 | 40.2+1.0 41.2 | 38.5+1.0 39.5 |
| K.188-Z68 | 33.8+1.7 35.5 | 82.5+1.7 84.2 | 105.0+3.0 108.0 | 63.4+4.1 67.5 | 70.7+1.7 72.4 | 69.4+1.7 71.1 |
| K.188-Z88 | 33.8+3.7 37.5 | 82.5+3.7 86.2 | 105.0+6.8 111.8 | 63.4+8.3 71.7 | 70.7+3.7 74.4 | 69.4+3.7 73.1 |
| K.188-D68 | 33.8+1.6 35.4 | 82.5+1.6 84.1 | 105.0+3.9 108.9 | 63.4+4.0 67.4 | 70.7+1.6 72.3 | 69.4+1.6 71.0 |

Table 10- 14 Oil quantities [l] for KZ, KF, KAD, KAZ, KAF, KADS, KAZS, KAFS, KADT, KAZT, KAFT sizes 38 - 188

| Type | Type of construction | | | | | |
|------------|----------------------|------------------|--------------------|------------------|------------------|------------------|
| | B5-01 H-01 | B5-03 H-02 | B5-02 H-03 | B5-00 H-04 | V1-00 H-05 | V3-00 H-06 |
| K.38-D/Z28 | 0.5+0.25 0.75 | 1.1+0.25 1.35 | 1.6+0.6 2.2 | 0.8+0.7 1.5 | 1.0+0.25 1.25 | 0.9+0.25 1.15 |
| K.48-D/Z28 | 0.7+0.25 0.95 | 1.7+0.25 1.95 | 2.2+0.6 2.8 | 1.4+0.7 2.1 | 1.6+0.25 1.85 | 1.8+0.25 2.05 |
| K.68-D/Z28 | 1.6+0.25 1.85 | 3.2+0.25 3.45 | 4.4+0.6 5.0 | 2.6+0.7 3.3 | 2.8+0.25 3.05 | 3.0+0.25 3.25 |
| K.88-D/Z28 | 2.6+0.25 2.85 | 5.8+0.25 6.05 | 8.1+0.6 8.7 | 5.0+0.7 5.7 | 5.1+0.25 5.35 | 5.0+0.25 5.25 |
| K.108-Z38 | 6.2+0.5 6.7 | 9.9+0.5 10.4 | 14.2+0.8 15.0 | 8.9+1.2 10.1 | 10.0+0.5 10.5 | 8.9+0.5 9.4 |
| K.108-Z48 | 6.2+1.0 7.2 | 9.9+1.0 10.9 | 14.2+1.8 16.0 | 8.9+2.4 11.3 | 10.0+1.0 11.0 | 8.9+1.0 9.9 |
| K.108-D38 | 6.2+0.5 6.7 | 9.9+0.5 10.4 | 14.2+0.9 15.1 | 8.9+1.1 10.0 | 10.0+0.5 10.5 | 8.9+0.5 9.4 |
| K.128-Z38 | 8.7+0.5 9.2 | 19.6+0.5 20.1 | 25.4+0.8 26.2 | 14.8+1.2 16.0 | 17.5+0.5 18.0 | 16.6+0.5 17.1 |
| K.128-Z48 | 8.7+1.0 9.7 | 19.6+1.0 20.6 | 25.4+1.8 27.2 | 14.8+2.4 17.2 | 17.5+1.0 18.5 | 16.6+1.0 17.6 |
| K.128-D38 | 8.7+0.5 9.2 | 19.6+0.5 20.1 | 25.4+0.9 26.3 | 14.8+1.1 15.9 | 17.5+0.5 18.0 | 16.6+0.5 17.1 |
| K.148-Z38 | 14.8+0.5 15.3 | 30.1+0.5 30.6 | 42.0+0.8 42.8 | 25.0+1.2 26.2 | 26.0+0.5 26.5 | 28.1+0.5 28.6 |
| K.148-Z68 | 14.8+1.7 16.5 | 30.1+1.7 31.8 | 42.0+3.0 45.0 | 25.0+4.1 29.1 | 26.0+1.7 27.7 | 28.1+1.7 29.8 |
| K.148-D38 | 14.8+0.5 15.3 | 30.1+0.5 30.6 | 42.0+0.9 42.9 | 25.0+1.1 26.1 | 26.0+0.5 26.5 | 28.1+0.5 28.6 |
| K.168-Z48 | 21.7+1.0 22.7 | 46.3+1.0 47.3 | 64.0+1.8 65.8 | 34.8+2.4 37.2 | 41.1+1.0 42.1 | 39.4+1.0 40.4 |
| K.168-Z68 | 21.7+1.7 23.4 | 46.3+1.7 48.0 | 64.0+3.0 67.0 | 34.8+4.1 38.9 | 41.1+1.7 42.8 | 39.4+1.7 41.1 |
| K.168-D48 | 21.7+1.0 22.7 | 46.3+1.0 47.3 | 62.6+2.3 64.9 | 34.8+2.4 37.2 | 41.1+1.0 42.1 | 39.4+1.0 40.4 |
| K.188-Z68 | 33.8+1.7 35.5 | 82.5+1.7 84.2 | 105.0+3.0 108.0 | 63.4+4.1 67.5 | 70.7+1.7 72.4 | 69.4+1.7 71.1 |
| K.188-Z88 | 33.8+3.7 37.5 | 82.5+3.7 86.2 | 105.0+6.8 111.8 | 63.4+8.3 71.7 | 70.7+3.7 74.4 | 69.4+3.7 73.1 |
| K.188-D68 | 33,8+1,6 35,4 | 82,5+1,6 84,1 | 105,0+3,9 108,9 | 63,4+4,0 67,4 | 70,7+1,6 72,3 | 69,4+1,6 71,0 |

10.6.5.4 Helical worm gearboxes

Table 10- 15 Oil quantities [l] for C, CA, CAS, CAT sizes 38 - 88

| Type | Type of construction | | | | | |
|------------|----------------------|------------------|----------------|----------------|------------------|------------------|
| | B3-00 H-01 | B8-00 H-02 | B7-00 H-03 | B6-00 H-04 | V5-00 H-05 | V6-00 H-06 |
| C.38-D/Z28 | 0.5+0.25 0.75 | 1.2+0.25 1.45 | 1.3+0.6 1.9 | 1.2+0.7 1.9 | 1.2+0.25 1.45 | 1.2+0.25 1.45 |
| C.48-D/Z28 | 0.7+0.25 0.95 | 1.6+0.25 1.85 | 1.7+0.6 2.3 | 1.6+0.7 2.3 | 1.3+0.25 1.55 | 1.3+0.25 1.55 |
| C.68-D/Z28 | 1.5+0.25 1.75 | 3.3+0.25 3.55 | 4.1+0.6 4.7 | 3.3+0.7 4.0 | 2.8+0.25 3.05 | 2.9+0.25 3.15 |
| C.88-D/Z28 | 1.7+0.25 0.95 | 6.1+0.25 6.35 | 6.5+0.6 7.1 | 5.1+0.7 5.8 | 4.5+0.25 4.75 | 4.5+0.25 4.75 |

Table 10- 16 Oil quantities [l] for CZ, CF, CAD, CAF, CAZ, CADS, CAFS, CAZS, CADT, CAFT, CAZT sizes 38 - 88

| Type | Type of construction | | | | | |
|------------|----------------------|------------------|----------------|----------------|------------------|------------------|
| | B5-01 H-01 | B5-03 H-02 | B5-02 H-03 | B5-00 H-04 | V1-00 H-05 | V3-00 H-06 |
| C.38-D/Z28 | 0.4+0.25 0.65 | 1.2+0.25 1.45 | 1.3+0.6 1.9 | 1.1+0.7 1.8 | 1.0+0.25 1.25 | 1.0+0.25 1.25 |
| C.48-D/Z28 | 0.5+0.25 0.75 | 1.7+0.25 1.95 | 1.8+0.6 2.4 | 1.6+0.7 2.3 | 1.3+0.25 1.55 | 1.3+0.25 1.55 |
| C.68-D/Z28 | 1.5+0.25 1.75 | 3.6+0.25 3.85 | 4.2+0.6 4.8 | 3.3+0.7 4.0 | 3.1+0.25 3.35 | 3.2+0.25 3.45 |
| C.88-D/Z28 | 1,7+0,25 1,95 | 5,9+0,25 6,15 | 7,3+0,6 7,9 | 5,2+0,7 5,9 | 4,8+0,25 5,05 | 4,8+0,25 5,05 |

Spare parts

11.1 Stocking of spare parts

By stocking the most important spare and wearing parts on site, you can ensure that the gearbox or geared motor is ready for use at any time.

| |
|---|
| <p>NOTICE</p> <p>Safety impairment caused by inferior products</p> <p>The installation and/or use of inferior products can have a negative impact on the design characteristics of the geared motor and might consequently impair the active and/or passive safety features of the machine.</p> <p>Steinlen Elektromaschinenbau GmbH states explicitly that only spare parts and accessories supplied by Steinlen have been tested and approved by Steinlen Elektromaschinenbau GmbH.</p> <p>If you do not use original spare parts and original accessories, Steinlen Elektromaschinenbau GmbH excludes every liability and warranty.</p> <p>Steinlen Elektromaschinenbau GmbH accepts the warranty only for original spare parts.</p> |
|---|

Note that special manufacturing and delivery specifications often apply to individual components. All spare parts offered by Steinlen Elektromaschinenbau GmbH are state-of-the-art and conform to the latest legal regulations.

Please supply the following data when ordering spare parts:

- Serial number shown on the rating plate ③
- Type designation shown on the rating plate ⑥
- Part number
 - 3-digit position number from the spare parts list
 - 6-digit part number
 - 7-digit article number
 - 14-digit material number
- Quantity



| | | | | | | | | | |
|----|----|----|----|---|----|----|----|----|----|
| | | | | | | | | | |
| | | | | 1 | | | | 2 | |
| | | | | | | | | | 3 |
| 4 | | | | | | | | | |
| 5 | | | | | | | | | |
| 6 | | | | | | | | | |
| 8 | | | | | | | | | 7 |
| | | | | | | | | | |
| | | | | | | | | | |
| 10 | 11 | 12 | 13 | | 15 | 18 | | | 19 |
| 14 | | | | | 17 | 20 | | | 21 |
| 16 | | | | | | | | | |
| 22 | | | | | 25 | | | | 27 |
| 28 | 23 | 24 | | | 29 | 36 | | 26 | 27 |
| 30 | | | | | 31 | 38 | | | 39 |
| 32 | 33 | 34 | | | 35 | 40 | 41 | 42 | 43 |
| | 44 | | | | | | | | |

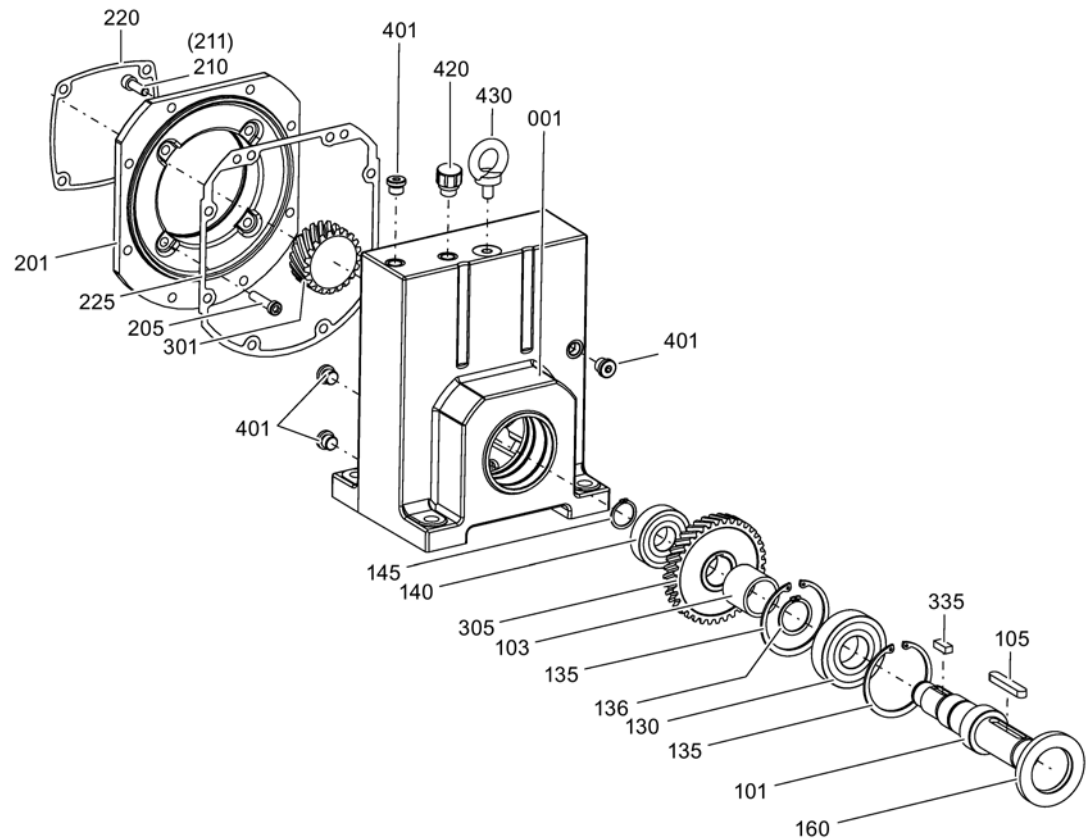
Figure 11-1 Example of a MOTOX rating plate

11.1 Stocking of spare parts

For motors with their own rating plate, the spare parts documentation in the original operating instructions applies.

11.2 Spare parts lists

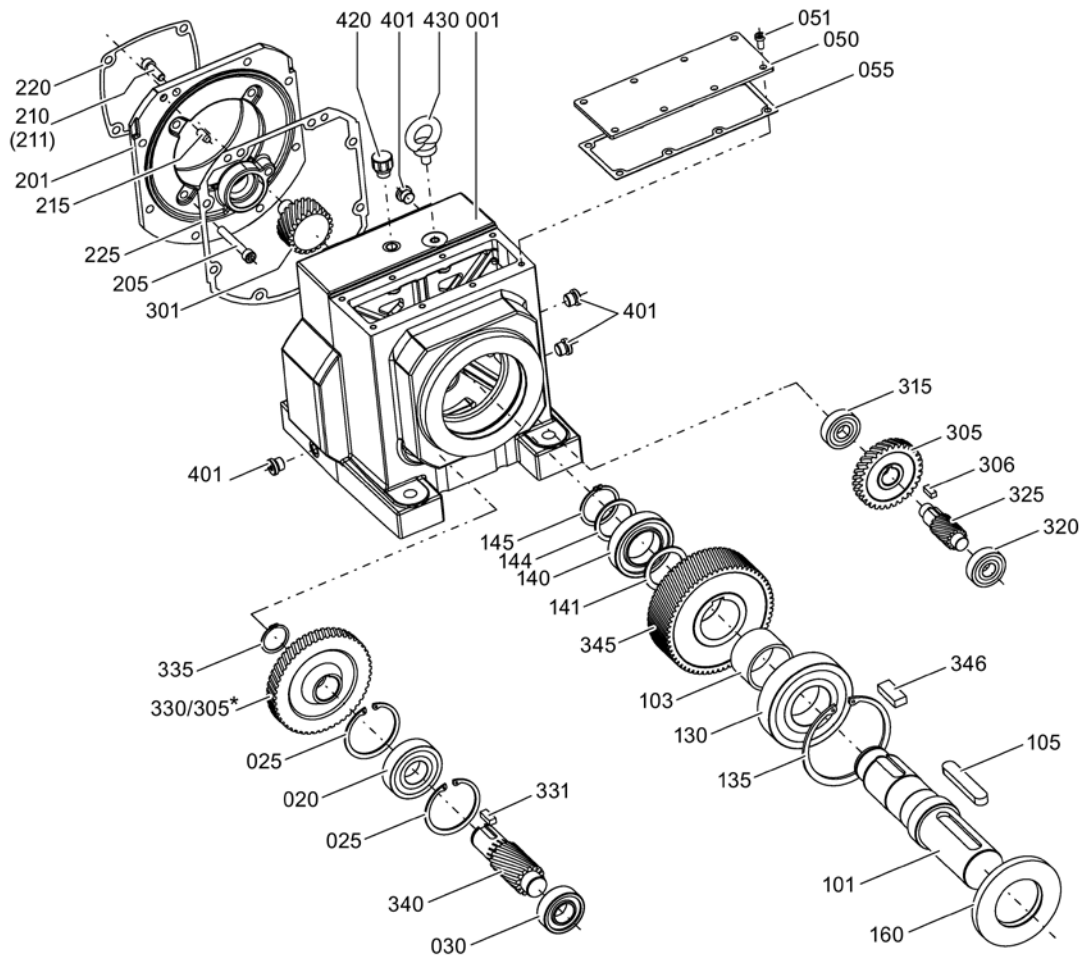
11.2.1 Single-stage helical gearbox sizes 38 - 148



| | | | |
|-----|--------------------|-----|--------------------|
| 001 | Gearbox housing | 225 | Seal |
| 101 | Output shaft | 301 | Plug-in pinion |
| 103 | Spacer / bush | 305 | Helical gear wheel |
| 105 | Parallel key | 335 | Parallel key |
| 130 | Bearing | 401 | Screw plug |
| 135 | Locking ring | 420 | Vent filter |
| 136 | Locking ring | 430 | Eyebolt |
| 140 | Bearing | | |
| 145 | Locking ring | | |
| 160 | Shaft sealing ring | | |
| 201 | Adapter plate | | |
| 205 | Screw | | |
| 210 | Screw | | |
| 211 | Screw lock | | |
| 220 | Seal | | |

Figure 11-2 Single-stage helical gearbox sizes 38 - 148

11.2.2 Two- and three-stage helical gearbox sizes 38 - 188



| | | |
|----------------------------|-----|--------------------|
| * 2-stage | 210 | Screw |
| 001 Gearbox housing | 211 | Screw lock |
| 020 Bearing | 215 | Cylindrical pin |
| 025 Locking ring | 220 | Seal |
| 030 Bearing | 225 | Seal |
| 050 Housing cover | 301 | Plug-in pinion |
| 051 Screw | 305 | Helical gear wheel |
| 055 Seal | 306 | Parallel key |
| 101 Output shaft | 315 | Bearing |
| 103 Spacer / bush | 320 | Bearing |
| 105 Parallel key | 325 | Pinion shaft |
| 130 Bearing | 330 | Helical gear wheel |
| 135 Locking ring | 331 | Parallel key |
| 140 Bearing | 335 | Locking ring |
| 141 Supporting disk / shim | 340 | Pinion shaft |
| 144 Supporting disk / shim | 345 | Helical gear wheel |
| 145 Locking ring | 346 | Parallel key |
| 160 Shaft sealing ring | 401 | Screw plug |

| | | | |
|-----|---------------|-----|-------------|
| 201 | Adapter plate | 420 | Vent filter |
| 205 | Screw | 430 | Eyebolt |

Figure 11-3 Two- and three-stage helical gearbox sizes 38 - 188

11.2.3 Parallel shaft gearbox sizes 38B - 188B, 208

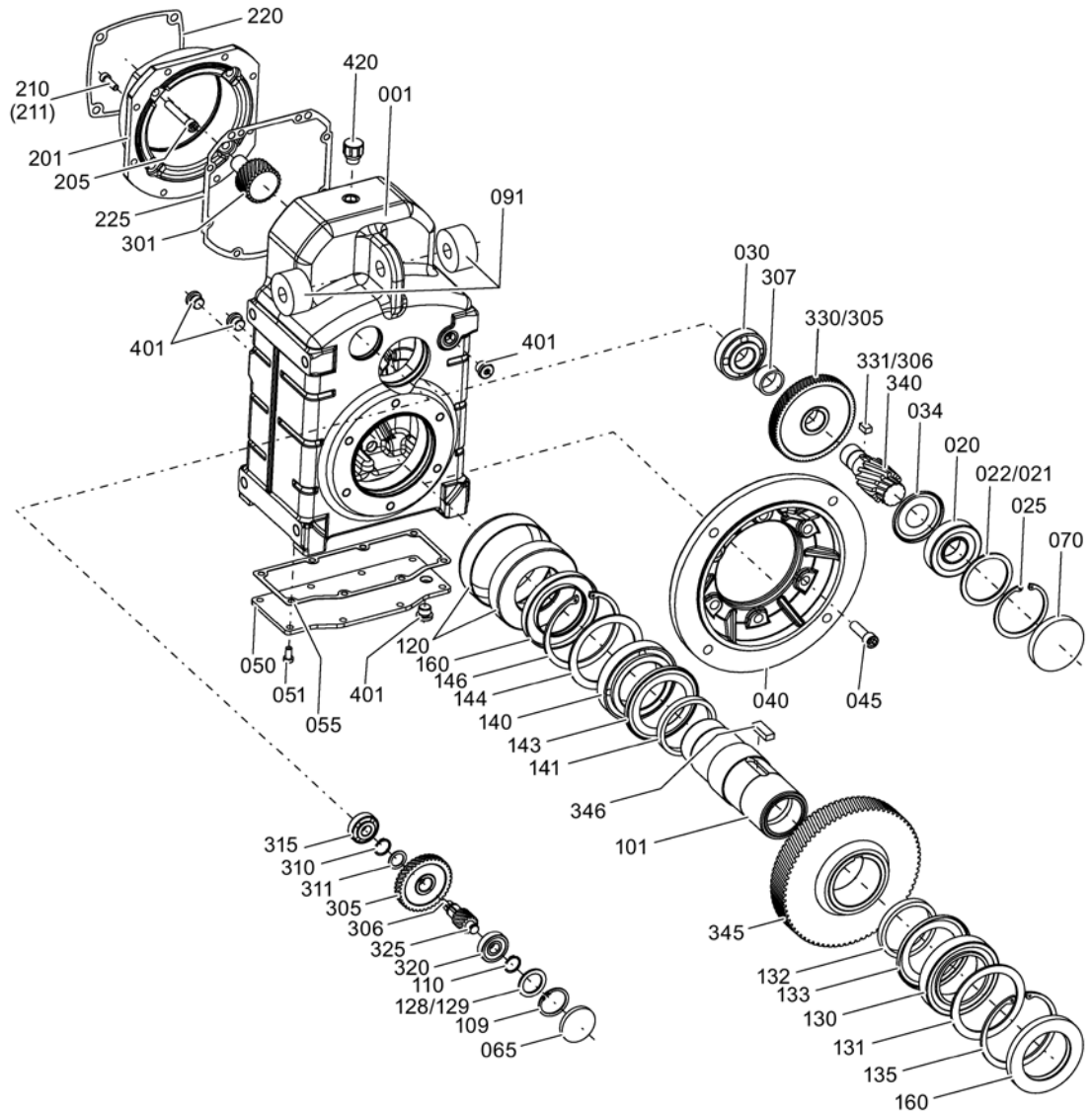


Figure 11-4 Parallel shaft gearbox sizes 38B - 188B

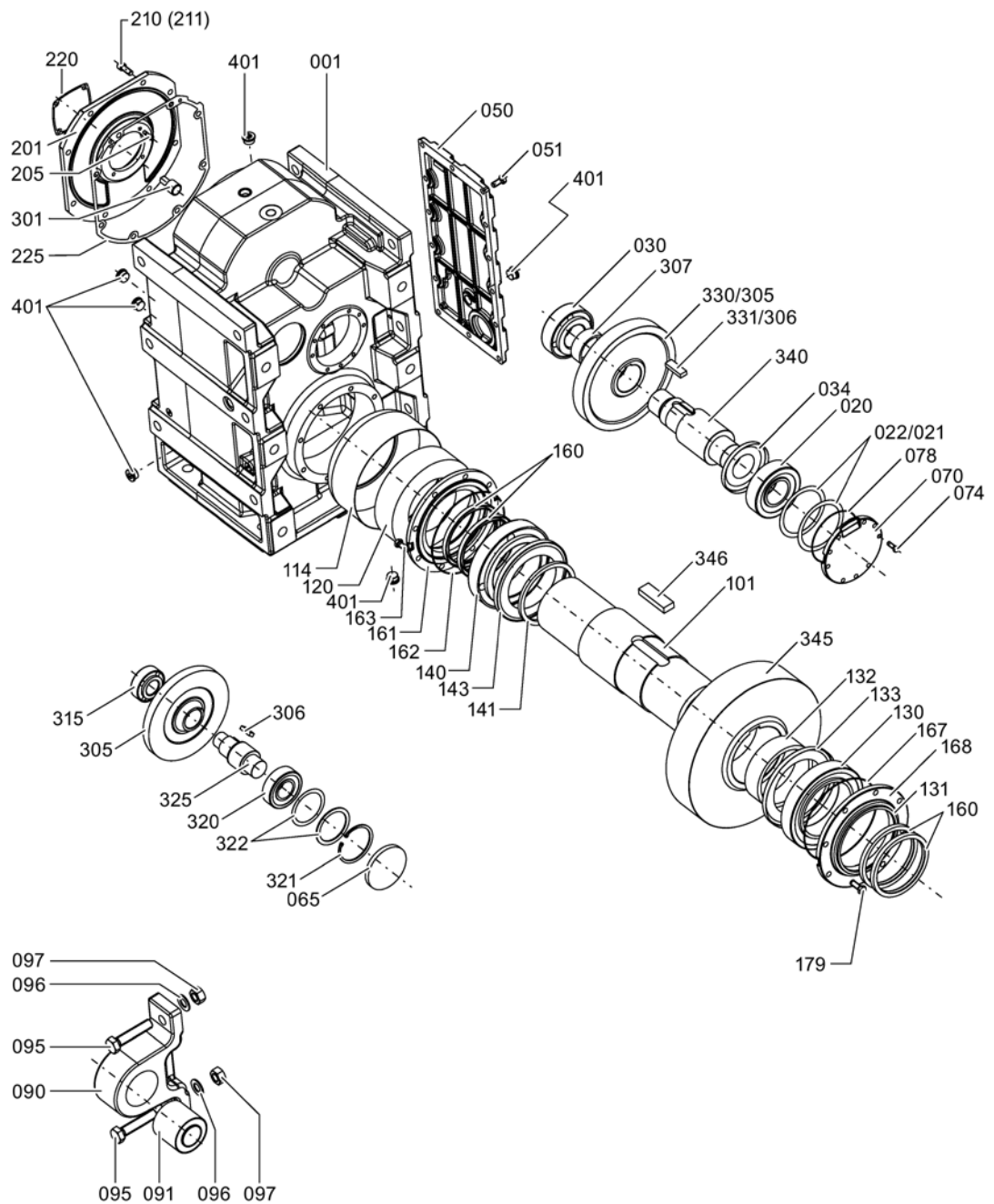


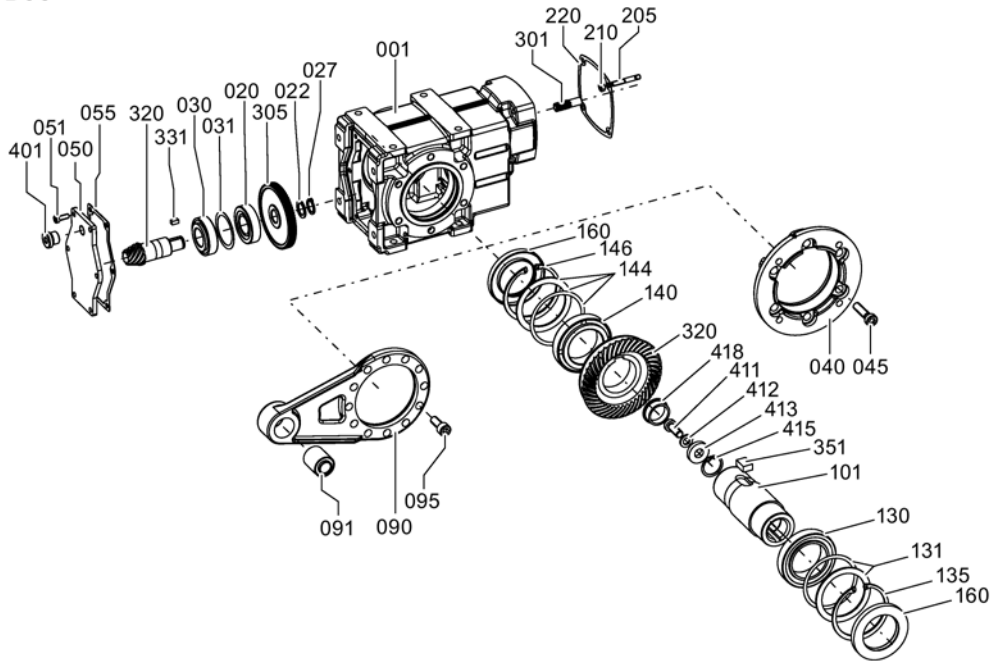
Figure 11-5 Parallel shaft gearbox size 208

Spare parts list for parallel shaft gearbox sizes 38B - 188B, 208

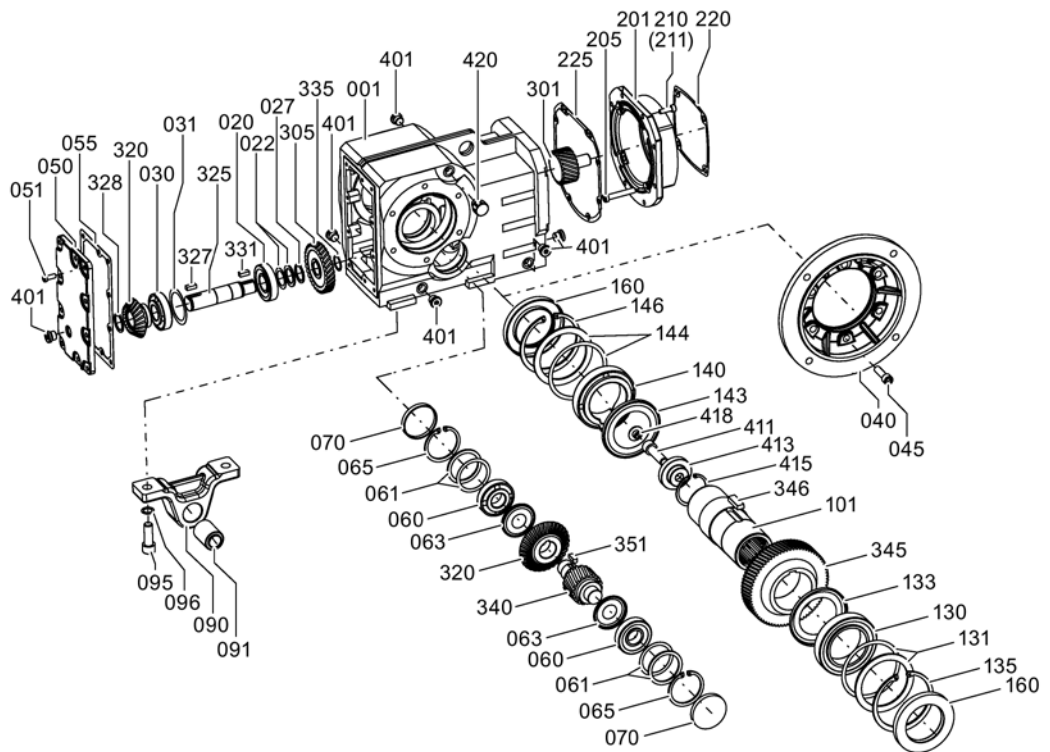
| | | | |
|-----|-----------------------------|-----|------------------------|
| 001 | Gearbox housing | 162 | O ring |
| 020 | Bearing | 163 | Screw |
| 021 | Supporting disk / shim | 167 | O ring |
| 022 | Supporting disk / shim | 168 | Bearing cover |
| 025 | Locking ring | 179 | Screw |
| 030 | Bearing | 201 | Adapter plate |
| 034 | NILOS ring | 205 | Screw |
| 040 | Output flange | 210 | Screw |
| 045 | Screw | 211 | Screw lock |
| 050 | Housing cover | 220 | Seal |
| 051 | Screw | 225 | Seal |
| 055 | Seal | 301 | Pinion |
| 065 | Sealing cap | 305 | Helical gear wheel |
| 070 | Sealing cap | 306 | Parallel key |
| 074 | Screw | 307 | Spacer / bush |
| 078 | O-ring | 310 | Locking ring |
| 090 | Torque arm | 311 | Supporting disk / shim |
| 091 | Rubber bush | 315 | Bearing |
| 095 | Screw | 320 | Bearing |
| 096 | Locking ring | 321 | Locking ring |
| 097 | Nut | 322 | Supporting disk / shim |
| 101 | Drive shaft | 325 | Pinion shaft |
| 109 | Locking ring | 330 | Helical gear wheel |
| 110 | Locking ring | 331 | Parallel key |
| 114 | Protection cover (optional) | 340 | Pinion shaft |
| 120 | Shrink disk | 345 | Helical gear wheel |
| 128 | Supporting disk / shim | 346 | Parallel key |
| 129 | Supporting disk / shim | 401 | Screw plug |
| 130 | Bearing | 420 | Vent filter |
| 131 | Supporting disk / shim | 340 | Pinion shaft |
| 132 | Spacer / bush | 345 | Helical gear wheel |
| 133 | NILOS ring | 346 | Parallel key |
| 135 | Locking ring | 401 | Screw plug |
| 140 | Bearing | 420 | Vent filter |
| 141 | Spacer / bush | | |
| 143 | NILOS ring | | |
| 144 | Supporting disk / shim | | |
| 146 | Locking ring | | |
| 160 | Shaft sealing ring | | |
| 161 | Bearing cover | | |

11.2.4 Bevel helical gearbox sizes B38, 38 - 188

B38



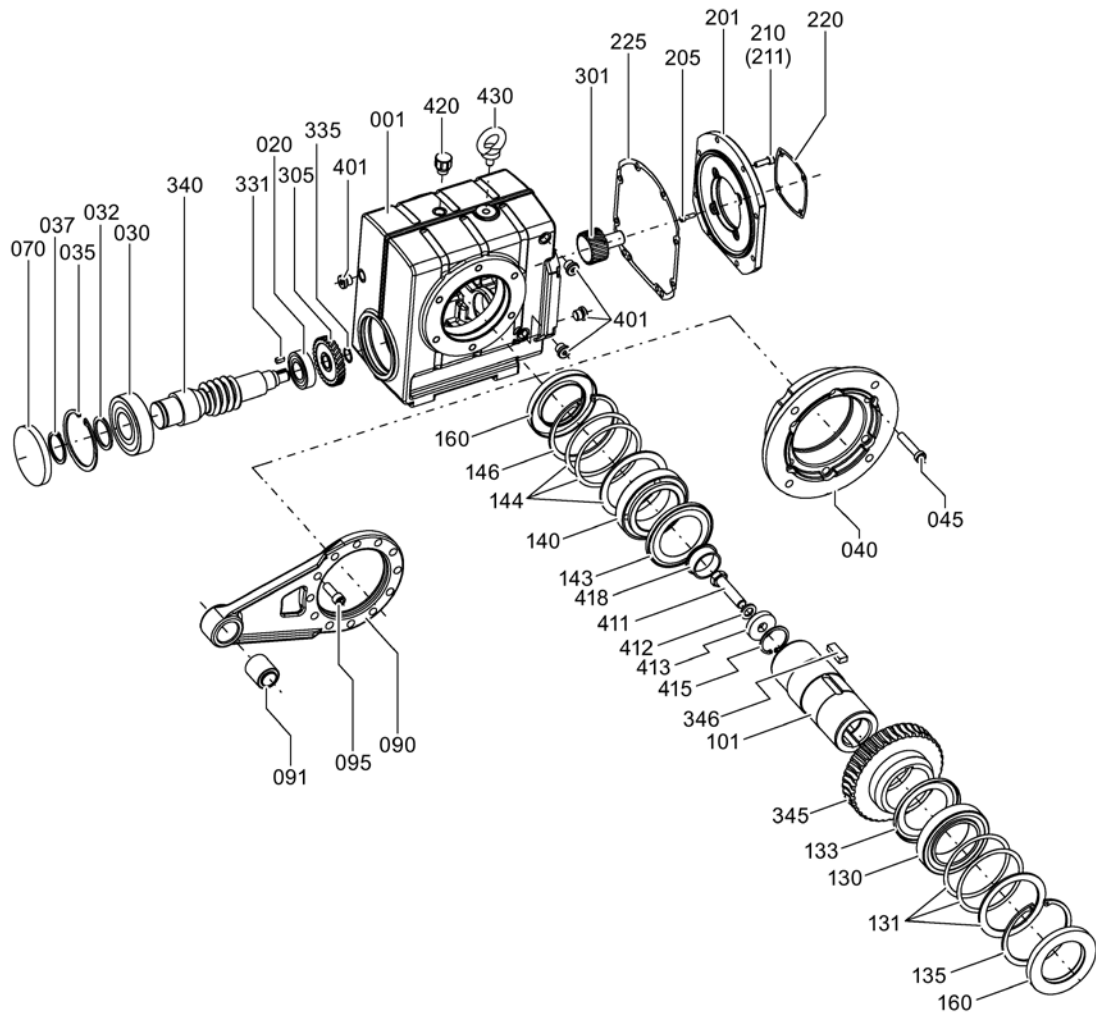
38 - 188



| | | | |
|-----|------------------------|-----|--------------------|
| 001 | Gearbox housing | 335 | Locking ring |
| 020 | Bearing | 340 | Pinion shaft |
| 022 | Supporting disk / shim | 345 | Helical gear wheel |
| 027 | Locking ring | 346 | Parallel key |
| 030 | Bearing | 351 | Parallel key |
| 031 | Supporting disk / shim | 401 | Screw plug |
| 040 | Output flange | 411 | Screw |
| 045 | Screw | 413 | Disk |
| 050 | Housing cover | 415 | Locking ring |
| 051 | Screw | 418 | Plug / sealing cap |
| 055 | Seal | 420 | Vent filter |
| 060 | Bearing | | |
| 061 | Supporting disk / shim | | |
| 063 | NILOS ring | | |
| 065 | Locking ring | | |
| 070 | Sealing cap | | |
| 090 | Torque arm | | |
| 091 | Rubber bush | | |
| 095 | Screw | | |
| 096 | Screw lock | | |
| 101 | Output shaft | | |
| 130 | Bearing | | |
| 131 | Supporting disk / shim | | |
| 133 | NILOS ring | | |
| 135 | Locking ring | | |
| 140 | Bearing | | |
| 143 | NILOS ring | | |
| 144 | Supporting disk / shim | | |
| 146 | Locking ring | | |
| 160 | Shaft sealing ring | | |
| 201 | Adapter plate | | |
| 205 | Screw | | |
| 210 | Screw | | |
| 211 | Screw lock | | |
| 220 | Seal | | |
| 225 | Seal | | |
| 301 | Plug-in pinion | | |
| 305 | Helical gear wheel | | |
| 320 | Bevel gear pair | | |
| 325 | Bevel pinion shaft | | |
| 327 | Parallel key | | |
| 328 | Locking ring | | |
| 331 | Parallel key | | |

Figure 11-6 Bevel helical gearbox sizes B38, 38 - 188

11.2.5 Helical worm gearbox sizes 38 - 88



| | | | |
|-----|------------------------|-----|--------------------|
| 001 | Gearbox housing | 201 | Adapter plate |
| 020 | Bearing | 205 | Screw |
| 030 | Bearing | 210 | Screw |
| 032 | Supporting disk / shim | 211 | Screw lock |
| 035 | Locking ring | 220 | Seal |
| 037 | Locking ring | 225 | Seal |
| 040 | Output flange | 301 | Plug-in pinion |
| 045 | Screw | 305 | Helical gear wheel |
| 070 | Sealing cap | 331 | Parallel key |
| 090 | Torque arm | 335 | Locking ring |
| 091 | Rubber bush | 340 | Worm shaft |
| 095 | Screw | 345 | Worm wheel |
| 101 | Output shaft | 346 | Parallel key |
| 130 | Bearing | 401 | Screw plug |
| 131 | Supporting disk / shim | 411 | Screw |
| 133 | NILOS ring | 412 | Screw lock |

| | | | |
|-----|------------------------|-----|--------------------|
| 135 | Locking ring | 413 | Disk |
| 140 | Bearing | 415 | Locking ring |
| 143 | NILOS ring | 418 | Plug / sealing cap |
| 144 | Supporting disk / shim | 420 | Vent filter |
| 146 | Locking ring | 430 | Eyebolt |
| 160 | Shaft sealing ring | | |

Figure 11-7 Helical worm gearbox sizes 38 - 88

Original Einbauerklärung für eine unvollständige Maschine
Original declaration of incorporation of partly completed machinery

Nr./No. ST337802261AF

Produktbezeichnung: Getriebemotor ST36
 Product identification: Geared motor ST36

A .. – BCD .. E .. – F .. – G ..

Getriebe: A .. = [A = E, Z, D, F, B, K, C, S]
 Gearbox:
 Motor: BCD .. E .. = [B = L; C = E; D = _, S; E = _, F, I, U]
 Motor:
 Bremse: F .. = [F = _, L, F]
 Brake:
 Drehgeber: G .. = [G = _, I]
 Encoder:

Hersteller: Steinlen Elektromaschinenbau GmbH
 Manufacturer
 Anschrift: Ehlbeek 21
 Address DE-30938 Burgwedel

Name, Anschrift bevollmächtigte Person für technische Unterlagen: Axel Brinkmann.....
 Name, address of authorised person for technical file Steinlen Elektromaschinenbau GmbH
 Ehlbeek 21, DE-30938 Burgwedel.....

Die alleinige Verantwortung für die Ausstellung dieser Einbauerklärung trägt der Hersteller.

This declaration of incorporation is issued under the sole responsibility of the manufacturer.

Der oben beschriebene Gegenstand der Erklärung erfüllt die einschlägigen Harmonisierungsrechtsvorschriften der Union:

The object of the declaration described above is in conformity with the relevant Union harmonisation legislation:

Maschinenrichtlinie:

Machinery Directive:

2006/42/EG Richtlinie des Europäischen Parlaments und des Rates vom 17. Mai 2006 über Maschinen und zur Änderung der Richtlinie 95/16/EG

2006/42/EC Directive of the European Parliament and of the Council of 17 May 2006 on machinery, and amending Directive 95/16/EC

Weitere Angaben über die Einhaltung dieser Richtlinie(n) enthält Anhang MR2, der ein integraler Bestandteil dieser Erklärung ist.

Further information about the conformity to this Directive(s) is given in Annex MR2, which is an integral part of this declaration.

Harmonisierte Normen / Harmonised standards:

| Referenznummer Reference number | Ausgabedatum Date of issue | Referenznummer Reference number | Ausgabedatum Date of issue |
|------------------------------------|-------------------------------|------------------------------------|-------------------------------|
| EN ISO 12100 | 2010 | - | - |

Diese Erklärung bescheinigt die Übereinstimmung mit den genannten Richtlinien, ist jedoch keine Beschaffenheits- oder Haltbarkeitsgarantie. Die Sicherheitshinweise der mitgelieferten Produktdokumentation sind zu beachten.

This declaration is an attestation of conformity with the indicated Directive(s) but does not imply any guarantee of quality or durability. The safety instructions of the accompanying product documentation shall be observed.

Original Einbauerklärung für eine unvollständige Maschine Original declaration of incorporation of partly completed machinery

Nr. / No. ST337802261AF

Das bezeichnete Produkt ist eine unvollständige Maschine im Sinne von Art. 2 g) der Richtlinie 2006/42/EG. Sie ist nur dazu bestimmt, in andere Maschinen oder in andere unvollständige Maschinen oder Ausrüstungen eingebaut oder mit ihnen zusammengefügt zu werden.

The designated product is a partly completed machinery in the sense of Art 2 g) of Directive 2006/42/EC. It is only intended to be incorporated into or assembled with other machinery or other partly completed machinery or equipment.

Die relevanten, angewendeten und eingehaltenen grundlegenden Anforderungen nach Anhang I der Richtlinie 2006/42/EG sind im Anhang MR2 zu dieser Erklärung aufgeführt.

The relevant, applied and fulfilled essential requirements of Annex I of Directive 2006/42/EC are listed in Annex MR2 of this declaration.

Die speziellen technischen Unterlagen nach Anhang VII, B der Richtlinie 2006/42/EG wurden erstellt und werden den Behörden auf begründete Anforderung in elektronischer / Papierform zur Verfügung gestellt.

The relevant technical documentation according to Annex VII, B of Directive 2006/42/EC has been compiled and will be provided to the authorities upon request in electronic / paper form.

Die unvollständige Maschine darf erst dann in Betrieb genommen werden, wenn gegebenenfalls festgestellt wurde, dass die Maschine, in die die unvollständige Maschine eingebaut werden soll, den Bestimmungen der Maschinenrichtlinie 2006/42/EG entspricht.

The partly completed machinery must not be put into service until the final machinery into which it is to be incorporated has been declared in conformity with the provisions of Directive 2006/42/EC, where appropriate.


Unterzeichnet für und im Namen von: / Signed for and on behalf of:

Steinlen Elektromaschinenbau GmbH

Burgwedel, 01.08.2021

Ort / place Datum der Ausstellung / Date of issue

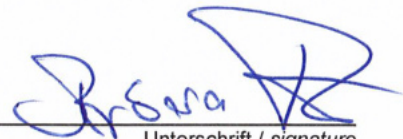
Axel Brinkmann
Name / name



Unterschrift / signature

Managing Director
Funktion / function

Barbara Reinke
Name / name



Unterschrift / signature

Quality Manager
Funktion / function

Diese Erklärung bescheinigt die Übereinstimmung mit den genannten Richtlinien, ist jedoch keine Beschaffenheits- oder Haltbarkeitsgarantie. Die Sicherheitshinweise der mitgelieferten Produktdokumentation sind zu beachten.

This declaration is an attestation of conformity with the indicated Directive(s) but does not imply any guarantee of quality or durability. The safety instructions of the accompanying product documentation shall be observed.

Anhang MR2 zur Original Einbauerklärung Nr. / No. ST337802261AF

Produktbezeichnung: Getriebemotor ST36 ..

Die folgenden grundlegenden Sicherheits- und Gesundheitsschutzanforderungen der Richtlinie 2006/42/EG, Anh. I, sind für die oben genannte unvollständige Maschine relevant und wurden entsprechend der Angabe in Spalte 3 erfüllt bzw. zeigen noch Restgefahren, die vom Hersteller der Gesamtmaschine zu beachten sind. Die für das Produkt nicht relevanten Risiken sind nicht aufgeführt.

| 2006/42/EG Anh. I | Bezeichnung | Anforderung erfüllt | |
|----------------------|---|---------------------|---|
| | | j/n | Weitere Hinweise |
| 1 | Grundlegende Sicherheits- und Gesundheitsschutzanforderungen | | |
| 1.1.2 | Grundsätze für die Integration der Sicherheit | j | |
| 1.1.3 | Materialien und Produkte | j | |
| 1.1.5 | Konstruktion der Maschine im Hinblick auf die Handhabung | j | |
| 1.3 | Schutzmaßnahmen gegen mechanische Gefährdungen | | |
| 1.3.1 | Risiko des Verlusts der Standsicherheit | j | |
| 1.3.2 | Bruchrisiko beim Betrieb | j | |
| 1.3.3 | Risiken durch herabfallende oder herausgeschleuderte Gegenstände | j | |
| 1.3.4 | Risiken durch Oberflächen, Kanten und Ecken | j | |
| 1.3.8.1 | Bewegliche Teile der Kraftübertragung | j | |
| 1.4 | Anforderungen an Schutzeinrichtungen | | |
| 1.4.1 | Allgemeine Anforderungen | j | |
| 1.4.2 | Besondere Anforderungen an trennende Schutzeinrichtungen | j | |
| 1.4.2.1 | Feststehende trennende Schutzeinrichtungen | j | |
| 1.5 | Risiken durch sonstige Gefährdungen | | |
| 1.5.1 | Elektrische Energieversorgung | j | Einhaltung der Schutzziele Richtlinie 2014/35/EU |
| 1.5.2 | Statische Elektrizität | j | |
| 1.5.4 | Montagefehler | j | |
| 1.5.5 | Extreme Temperaturen | j | |
| 1.5.6 | Brand | j | |
| 1.5.8 | Lärm | j | |
| 1.5.9 | Vibrationen | j | |
| 1.5.13 | Emission gefährlicher Werkstoffe und Substanzen | j | |

Diese Erklärung bescheinigt die Übereinstimmung mit den genannten Richtlinien, ist jedoch keine Beschaffenheits- oder Haltbarkeitsgarantie. Die Sicherheitshinweise der mitgelieferten Produktdokumentation sind zu beachten.

This declaration is an attestation of conformity with the indicated Directive(s) but does not imply any guarantee of quality or durability. The safety instructions of the accompanying product documentation shall be observed.

| | | | |
|------------|---|---|--|
| 1.6 | Instandhaltung | | |
| 1.6.1 | Wartung der Maschine | j | |
| 1.6.2 | Zugang zu den Bedienungsständen und den Eingriffspunkten für die Instandhaltung | j | |
| 1.7 | Informationen | | |
| 1.6 | Instandhaltung | | |
| 1.6.1 | Wartung der Maschine | j | |
| 1.6.2 | Zugang zu den Bedienungsständen und den Eingriffspunkten für die Instandhaltung | j | |
| 1.7 | Informationen | | |
| 1.7.1 | Informationen und Warnhinweise an der Maschine | j | |
| 1.7.2 | Warnung vor Restrisiken | j | |
| 1.7.3 | Kennzeichnung der Maschinen | j | |
| 1.7.4 | Betriebsanleitung | j | |
| 1.7.4.1 | Allgemeine Grundsätze für die Abfassung der Betriebsanleitung | j | |
| 1.7.4.2 | Inhalt der Betriebsanleitung | j | |
| 1.7.4.3 | Verkaufsprospekte | j | |

Diese Erklärung bescheinigt die Übereinstimmung mit den genannten Richtlinien, ist jedoch keine Beschaffenheits- oder Haltbarkeitsgarantie. Die Sicherheitshinweise der mitgelieferten Produktdokumentation sind zu beachten.

This declaration is an attestation of conformity with the indicated Directive(s) but does not imply any guarantee of quality or durability. The safety instructions of the accompanying product documentation shall be observed.

Annex MR2
of the original declaration of incorporation
Nr. / No. ST337802261AF

Product identification: Geared motor ST36 ..

The following essential health and safety requirements of Directive 2006/42/EG, Annex I are relevant for the identified uncompleted machinery. According to the remarks in column 3 they have been solved respectively bear residual hazards which have to be covered by the manufacturer of the final machinery. Risks, not being relevant for the uncompleted machinery are not listed.

| 2006/42/EC Annex I | Denotation | Requirement fulfilled | |
|-----------------------|--|-----------------------|--|
| | | y/n | Additional remark |
| 1 | Essential health and safety requirements | | |
| 1.1.2 | Principles of safety integration | y | |
| 1.1.3 | Materials and products | y | |
| 1.1.5 | Design of machinery to facilitate its handling | y | |
| 1.3 | Protection against mechanical hazards | | |
| 1.3.1 | Risk of loss of stability | y | |
| 1.3.2 | Risk of break-up during operation | y | |
| 1.3.3 | Risks due to falling or ejected objects | y | |
| 1.3.4 | Risks due to surfaces, edges or angles | y | |
| 1.3.8.1 | Moving transmission parts | y | |
| 1.4 | Required characteristics of guards and protective devices | | |
| 1.4.1 | General requirements | y | |
| 1.4.2 | Special requirements for guards | y | |
| 1.4.2.1 | Fixed guards | y | |
| 1.5 | Risks due to other hazards | | |
| 1.5.1 | Electricity supply | y | Fulfillment of safety objectives of Directive 2014/35/EC |
| 1.5.2 | Static electricity | y | |
| 1.5.4 | Errors of fitting | y | |
| 1.5.5 | Extreme temperatures | y | |
| 1.5.6 | Fire | y | |
| 1.5.8 | Noise | y | |
| 1.5.9 | Vibrations | y | |
| 1.5.13 | Emissions of hazardous materials and substances | y | |

Diese Erklärung bescheinigt die Übereinstimmung mit den genannten Richtlinien, ist jedoch keine Beschaffenheits- oder Haltbarkeitsgarantie. Die Sicherheitshinweise der mitgelieferten Produktdokumentation sind zu beachten.

This declaration is an attestation of conformity with the indicated Directive(s) but does not imply any guarantee of quality or durability. The safety instructions of the accompanying product documentation shall be observed.

| | | | |
|------------|---|---|--|
| 1.6 | Maintenance | | |
| 1.6.1 | Machinery maintenance | y | |
| 1.6.2 | Access to operating positions and servicing points | y | |
| 1.7 | Information | | |
| 1.7.1 | Information and warnings on the machinery | y | |
| 1.7.2 | Warning of residual risks | y | |
| 1.7.3 | Marking of machinery | y | |
| 1.7.4 | Instructions | y | |
| 1.7.4.1 | General principles for the drafting of instructions | y | |
| 1.7.4.2 | Contents of the instructions | y | |
| 1.7.4.3 | Sales literature | y | |

Diese Erklärung bescheinigt die Übereinstimmung mit den genannten Richtlinien, ist jedoch keine Beschaffenheits- oder Haltbarkeitsgarantie. Die Sicherheitshinweise der mitgelieferten Produktdokumentation sind zu beachten.

This declaration is an attestation of conformity with the indicated Directive(s) but does not imply any guarantee of quality or durability. The safety instructions of the accompanying product documentation shall be observed.

Original EU-Konformitätserklärung Original EU-declaration of conformity Nr. / No. EK-10B

Produktbezeichnung: Getriebemotor ST36
Product identification: Geared motor ST36

A .. – BCD .. E .. – F .. – G ..

Getriebe: A .. = [A = E, Z, D, F, B, K, C, S]
Gearbox:
Motor: BCD .. E .. = [B = L; C = E; D = _, S; E = _, F, I, U]
Motor:
Bremsen: F .. = [F = _, L, F]
Brake:
Drehgeber: G .. = [G = _, I]
Encoder:

Hersteller: Steinlen Elektromaschinenbau GmbH
Manufacturer
Anschrift: Ehlbeek 21
Address DE-30938 Burgwedel

Name, Anschrift bevollmächtigte Person für technische Unterlagen: Axel Brinkmann.....
Name, address of authorised person for technical file Steinlen Elektromaschinenbau GmbH
Ehlbeek 21, DE-30938 Burgwedel.....

Der oben beschriebene Gegenstand der Erklärung erfüllt die einschlägigen Harmonisierungsrechtsvorschriften der Union:

The object of the declaration described above is in conformity with the relevant Union harmonisation legislation:

Niederspannungsrichtlinie:

2014/35/EU Richtlinie des Europäischen Parlaments und des Rates vom 26. Februar 2014 zur Harmonisierung der Rechtsvorschriften der Mitgliedstaaten über die Bereitstellung elektrischer Betriebsmittel zur Verwendung innerhalb bestimmter Spannungsgrenzen auf dem Markt; Amtsblatt der EU L96, 29/03/2014, S. 357–374

Low Voltage Directive:

2014/35/EU Directive of the European Parliament and of the Council of 26 February 2014 on the harmonisation of the laws of the Member States relating to the making available of electrical equipment designed for use within certain voltage limits; Official Journal of the EU L96, 29/03/2014, p. 357–374

RoHS-Richtlinie:

2011/65/EU Richtlinie des Europäischen Parlaments und des Rates vom 8. Juni 2011 zur Beschränkung der Verwendung bestimmter gefährlicher Stoffe in Elektro- und Elektronikgeräten; Amtsblatt der EU L174, 1/07/2011, S. 88–110

RoHS Directive:

2011/65/EU Directive of the European Parliament and of the Council of 8 June 2011 on the restriction of the use of certain hazardous substances in electrical and electronic equipment; Official Journal of the EU L174, 1/07/2011, p. 88–110

Verordnung (EG) Nr. 640/2009:

Verordnung der Kommission vom 22. Juli 2009 zur Durchführung der Richtlinie 2005/32/EG des Europäischen Parlaments und des Rates im Hinblick auf die Festlegung von Anforderungen an die umweltgerechte Gestaltung von Elektromotoren

Regulation (EC) No 640/2009:

Commission Regulation of 22 July 2009 implementing Directive 2005/32/EC of the European Parliament and of the Council with regard to ecodesign requirements for electric motors

Diese Erklärung bescheinigt die Übereinstimmung mit den genannten Richtlinien, ist jedoch keine Beschaffenheits- oder Haltbarkeitsgarantie. Die Sicherheitshinweise der mitgelieferten Produktdokumentation sind zu beachten.

This declaration is an attestation of conformity with the indicated Directive(s) but does not imply any guarantee of quality or durability. The safety instructions of the accompanying product documentation shall be observed.

Die Übereinstimmung des bezeichneten Produkts mit den Vorschriften der angewandten Richtlinie(n) wird nachgewiesen durch die vollständige Einhaltung folgender Normen / Vorschriften:

The conformity of the designated product with the provisions of the applied Directive(s) is proved by full compliance with the following standards / regulations:

Harmonisierte Normen / Harmonized standards:

| Referenznummer <i>Reference number</i> | Ausgabedatum <i>Date of issue</i> |
|---|--------------------------------------|
| EN 60034-1 | 2010+AC:2010 |
| EN 60034-2-1 | 2014 |
| EN 60034-5 | 2001+A1:2007 |
| EN 60034-8 | 2007+A1:2014 |
| EN 60034-30-1 | 2014 |
| EN 60529 | 1991+A1:2000+A2: 2013 |

Zusatzinformation:

Additional Information:

Kurzschlussläufermotoren fallen laut Leitfaden nicht unter die EMV-Richtlinie 2014/30/EU, somit ist keine CE-Kennzeichnung zur EMV-Richtlinie nötig.
According to the guideline, squirrel-cage induction motors do not fall under the directives of EMC Guideline 2014/30/EC, and thus no CE identification for the EMC guideline is required.

Untersignet für und im Namen von: / *Signed for and on behalf of:*

Steinlen Elektromaschinenbau GmbH

Burgwedel

Ort / *place*

01.08.2021

Datum der Ausstellung / *Date of issue*

Axel Brinkmann

Name / *name*


Unterschrift / *signature*

Managing Director

Funktion / *function*

Barbara Reinke

Name / *name*


Unterschrift / *signature*

Quality Manager

Funktion / *function*

Diese Erklärung bescheinigt die Übereinstimmung mit den genannten Richtlinien, ist jedoch keine Beschaffenheits- oder Haltbarkeitsgarantie. Die Sicherheitshinweise der mitgelieferten Produktdokumentation sind zu beachten.

This declaration is an attestation of conformity with the indicated Directive(s) but does not imply any guarantee of quality or durability. The safety instructions of the accompanying product documentation shall be observed.

EU-Konformitätserklärung / EU Declaration of Conformity DIN EN 80079-36

Dokument Nr. / Document no. EK 20 – 04/21

Hersteller: / Manufacturer: Steinlen Elektromaschinenbau GmbH, Ehlbeek 21, D-30938 Burgwedel, Germany
Produktbezeichnung: / Product designation: Getriebereihe ST3...
Getriebetypen: / Gearbox types: E, Z, D, F, B, K, C
Baugrößen: / Sizes: 18 bis 208
Antriebsgruppen: / Drive groups: A, K, P

Das bezeichnete Produkt stimmt mit den Vorschriften folgender europäischer Richtlinie überein: / The product referred to complies with the provisions of the following European directive:

Richtlinie 2014/34/EU des Europäischen Parlaments und des Rates vom 26. Februar 2014 zur Harmonisierung der Rechtsvorschriften der Mitgliedstaaten in Bezug auf Ausrüstungen und Schutzsysteme zur Verwendung in explosionsgefährdeten Bereichen, ABl. L 96/309 vom 29.03.2014 / Directive 2014/34/EU of the European Parliament and of the Council of 26 February 2014 on the harmonisation of the laws of the Member States relating to equipment and protective systems intended for use in potentially explosive atmospheres, OJ. L 96/309 of 29.03.2014

Die Übereinstimmung mit den Vorschriften dieser Richtlinie wird nachgewiesen durch die Einhaltung folgender Normen: / The compliance with the provisions of this regulation is proven by the adherence to the following standards:

- DIN EN 1127-1: 2011
- DIN EN 80079-36: 2016
- DIN EN 80079-37: 2016
- DIN EN 80079-34: 2012
- DIN EN 60079-0: 2014
- DIN EN 15198: 2007

Zündschutzart für Gerätegruppe II der Kategorien 2 und 3: / Ignition protection type for device group II of categories 2 and 3:

- II 2G Ex h IIB T4 Gb
- II 2G Ex h IIC T4 Gb • II 2D Ex h IIIB T120° C Db
- II 2D Ex h IIIC T120° C Db
- II 3G Ex h IIB T4 Gc • II 3G Ex h IIC T4 Gc
- II 3D Ex h IIIB T120° C Dc
- II 3D Ex h IIIC T120° C Dc

Die spezifische Kennzeichnung des Getriebes ist auf dem Leistungsschild vermerkt. / The specific marking of the gearbox is noted on the rating plate.

Die technische Dokumentation für Getriebe der Kategorie 2 ist hinterlegt bei der benannten Stelle / Hinterlegungsnummer: / The technical documentation for gearboxes of the category 2 is deposited at the notified body / accession number:

TÜV Nord Cert GmbH, Am TÜV 1, 30519 Hannover, Germany / 35295208.

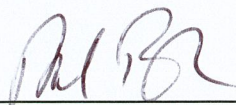
Unterzeichnet für und im Namen von: / Signed for and on behalf of:

Steinlen Elektromaschinenbau GmbH

Burgwedel, 26.04.2021

Ort / place, Datum der Ausstellung / Date of issue

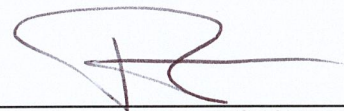
Axel Brinkmann
Name / Name



Unterschrift / Signature

Managing Director
Funktion / Function

Barbara Reinke
Name / Name



Unterschrift / Signature

Quality Manager
Funktion / Function

UK Declaration of Conformity BS EN 80079-36

Document no. EK 21 – 04/22

Manufacturer: Steinlen Elektromaschinenbau GmbH, Ehlbeek 21, D-30938 Burgwedel, Germany
Product designation: Gear series ST3...
Gearbox types: E, Z, D, F, B, K, C
Sizes: 18 to 208
Drive groups: A, K, P

The product referred to complies with the provisions of the following European directive:

Directive 2014/34/EU of the European Parliament and of the Council of 26 February 2014 on the harmonisation of the laws of the Member States relating to equipment and protective systems intended for use in potentially explosive atmospheres, OJ. L 96/309 of 29.03.2014

The compliance with the provisions of this regulation is proven by the adherence to the following standards:

- EN 1127-1:2011
- EN 80079-36:2016
- EN 80079-37:2016
- EN 80079-34:2012
- EN 60079-0:2014
- EN 15198:2007

Ignition protection type for device group II of categories 2 and 3:

- II 2G Ex h IIB T4 Gb
- II 2G Ex h IIC T4 Gb • II 2D Ex h IIIB T120° C Db
- II 2D Ex h IIIC T120° C Db
- II 3G Ex h IIB T4 Gc • II 3G Ex h IIC T4 Gc
- II 3D Ex h IIIB T120° C Dc
- II 3D Ex h IIIC T120° C Dc

The specific marking of the gearbox is noted on the rating plate.

The technical documentation for gearboxes of the category 2 is deposited at the notified body / **Firm Quotation Ref:**

Element Materials Technology, Unit 1 Pendle Place, Skelmersdale, WN8 9PN, United Kingdom / **TRA-058512-00.**

Signed for and on behalf of:

Steinlen Elektromaschinenbau GmbH

Burgwedel, 28.04.2022
Place, Date of issue

Axel Brinkmann
Name



Signature

Managing Director
Function

Barbara Reinke
Name



Signature

Quality Manager
Function

Steinlen Elektromaschinenbau GmbH
Ehlbeek 21
30938 Burgwedel
Germany

Phone:
+49 (0)51 39 / 80 70-0

E-Mail:
info@steinlen.de

: